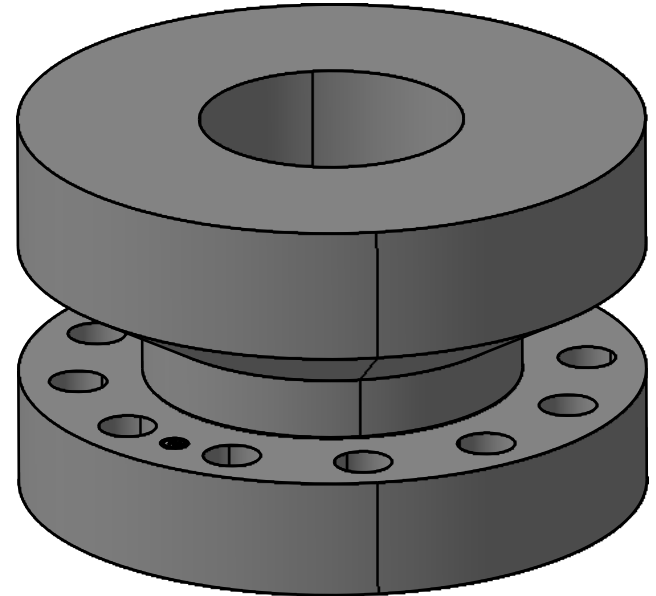
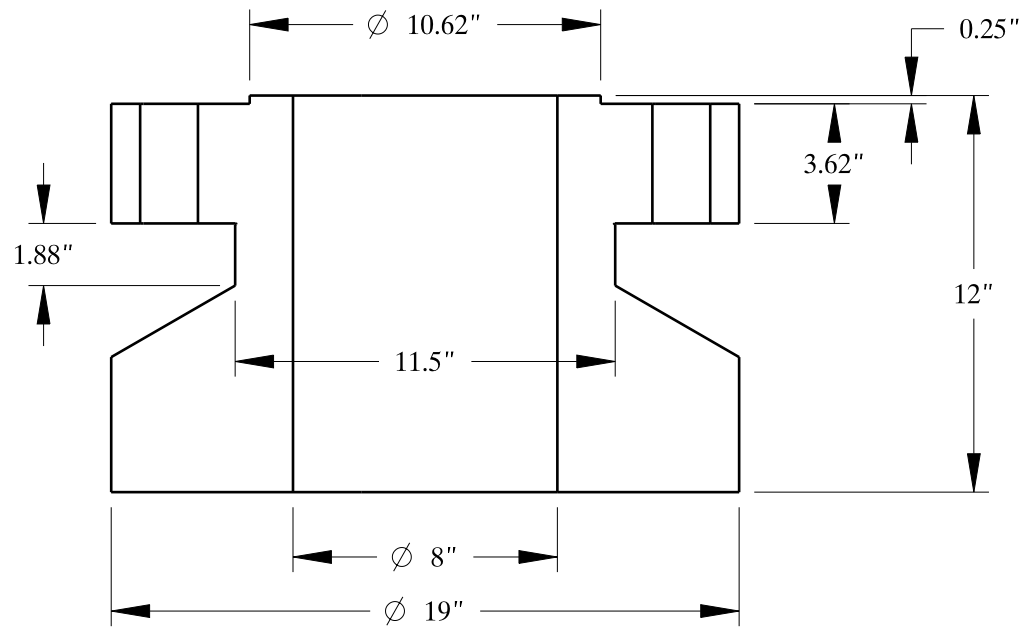



Ø 15.5"
BOLT CIRCLE

Ø 19"

12X
Ø 1.75"



SIZE:	NOM. PIPE SIZE 8 INCH
TYPE:	1500-EB-RF-STD-CONN-FLANGE
 Texas Flange	
PO Box 2889 Pearland, TX 77588 PH: 800-826-3801 FAX: 281-484-8730 www.texasflange.com	