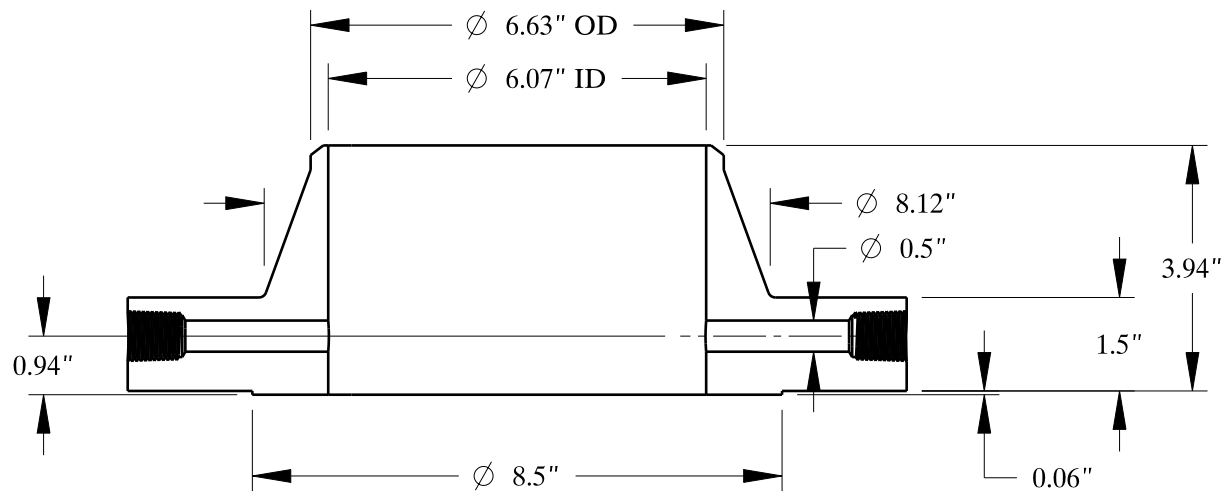
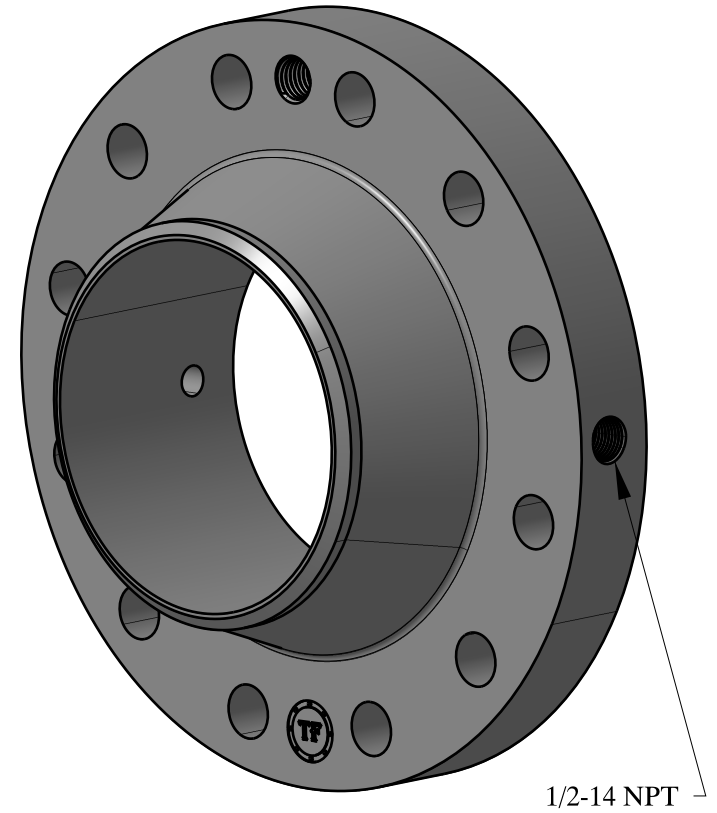
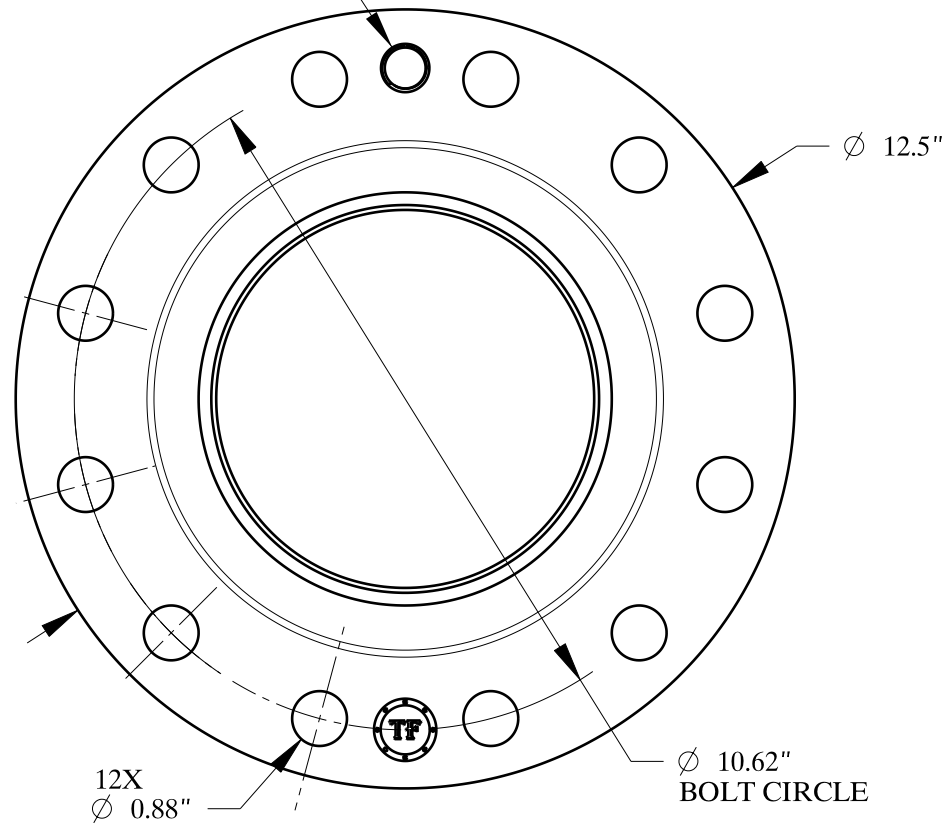


3/4-10 UNC
FOR JACK BOLT



| | |
|---|------------------------------|
| SIZE: | 6" NOM. X SHC: 40 |
| TYPE: | 300-RF-WELD-NECK-ORIF-FLANGE |
|  | Texas Flange |
| PO Box 2889 Pearland, TX 77588 PH: 800-826-3801 FAX: 281-484-8730 www.texasflange.com | |