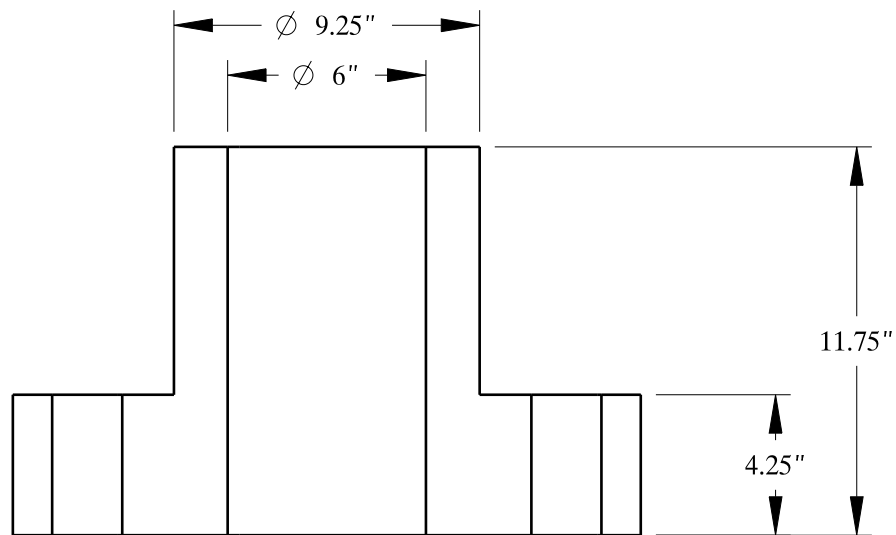
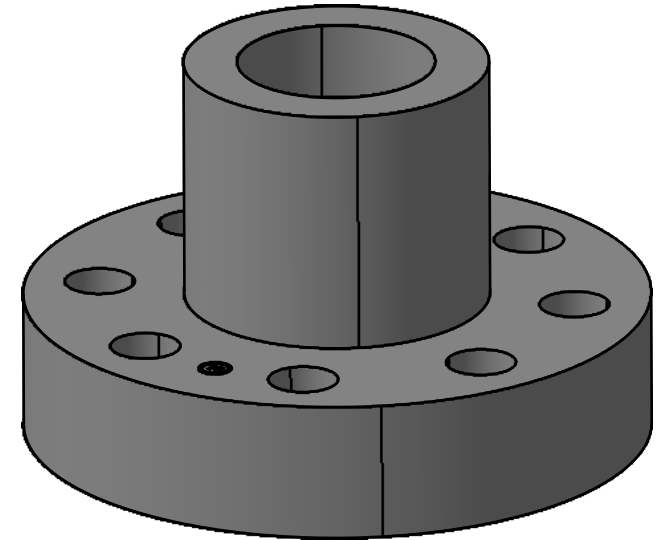
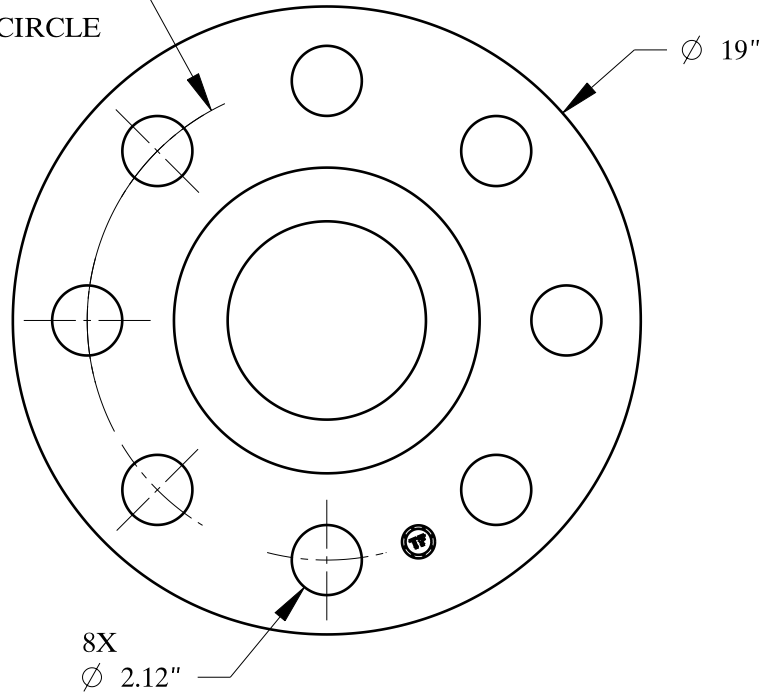



Ø 14.5"  
BOLT CIRCLE



SIZE:	NOM. PIPE SIZE 6 INCH
TYPE:	2500-LWN-FF-STD-CONN-FLANGE
	<b>Texas Flange</b>
	PO Box 2889 Pearland, TX 77588 PH: 800-826-3801 FAX: 281-484-8730 www.texasflange.com