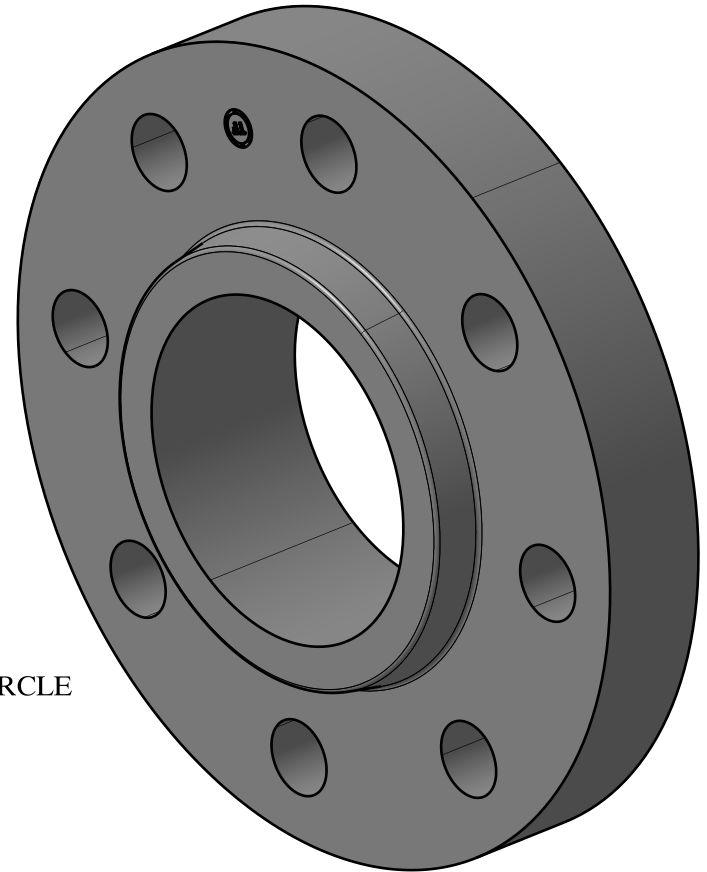
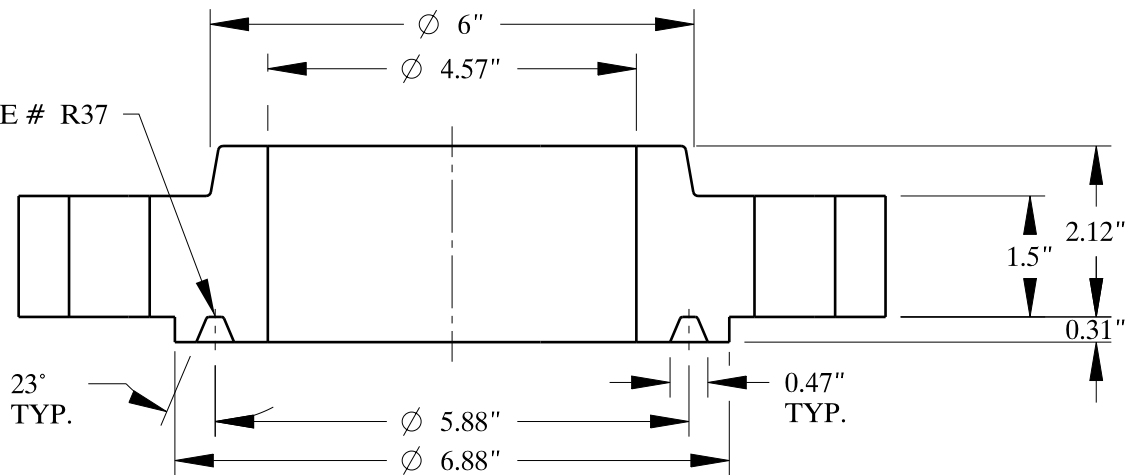



8X
Ø 1"

Ø 10.75"

Ø 8.5"
BOLT CIRCLE

GROOVE # R37



SIZE:	4" NOM. PIPE
TYPE:	600-SLIP-ON-RTJ-FLANGE
 Texas Flange	
PO Box 2889 Pearland, TX 77588 PH: 800-826-3801 FAX: 281-484-8730 www.texasflange.com	