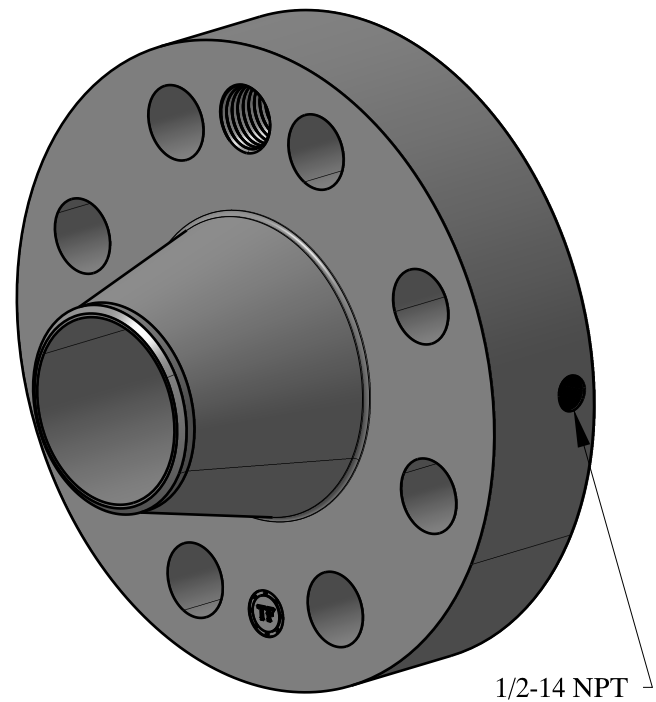
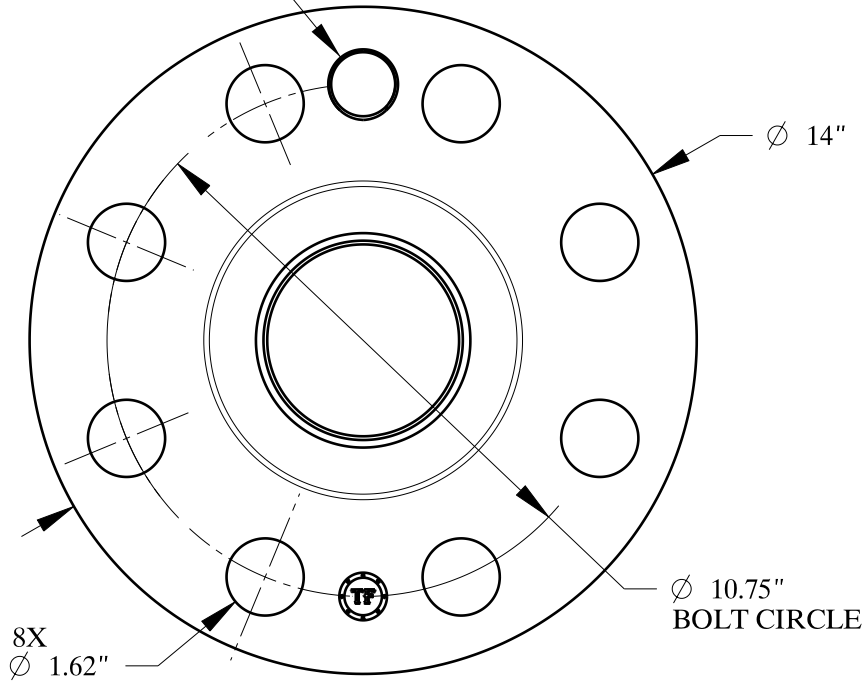
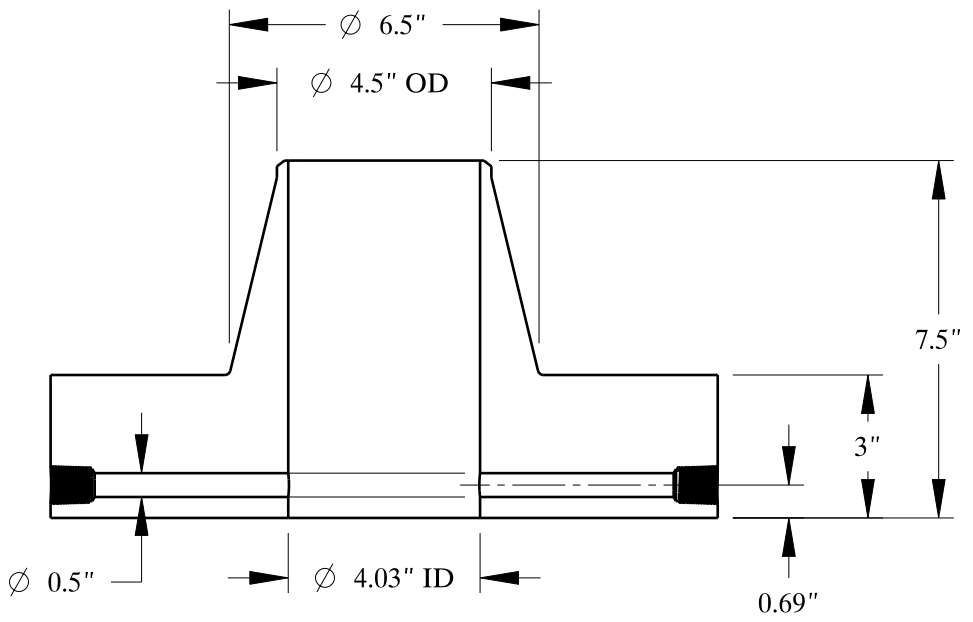


1 1/2-6 UNC  
FOR JACK BOLT



1/2-14 NPT



SIZE:	4" NOM. X SHC: 40
TYPE:	2500-FF-WELD-NECK-ORIF-FLANGE
 <b>Texas Flange</b>	