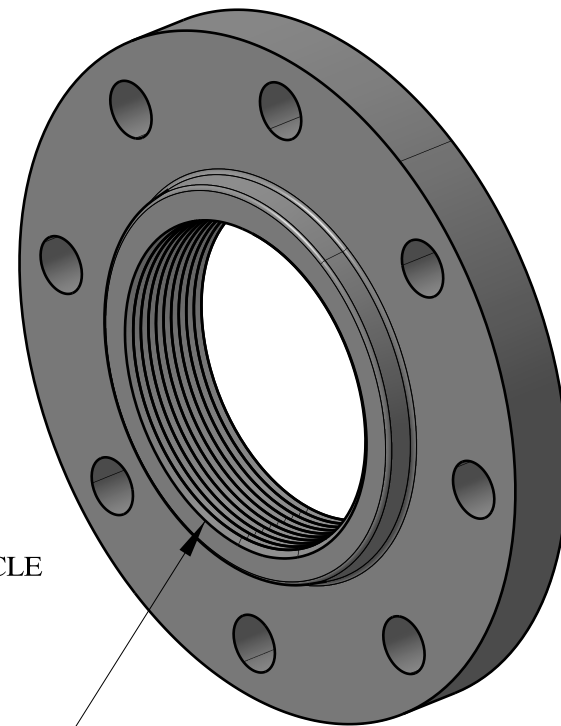
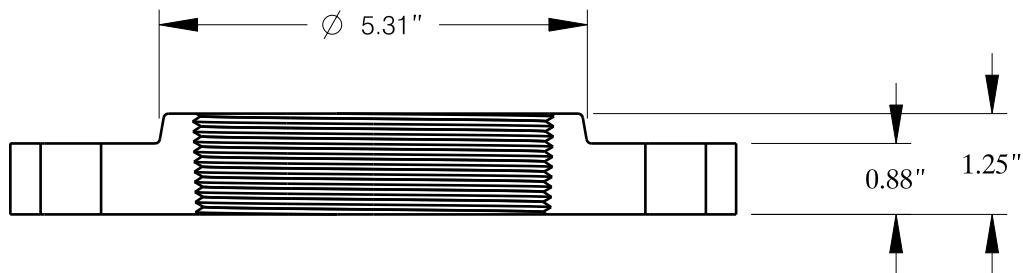


Ø 7.5"  
BOLT CIRCLE



4-8 NPT



SIZE:	4" NOM. PIPE
TYPE:	150-THREADED-FF-FLANGE
PO Box 2889 Pearland, TX 77588 PH: 800-826-3801 FAX: 281-484-8730 <a href="http://www.texasflange.com">www.texasflange.com</a>	