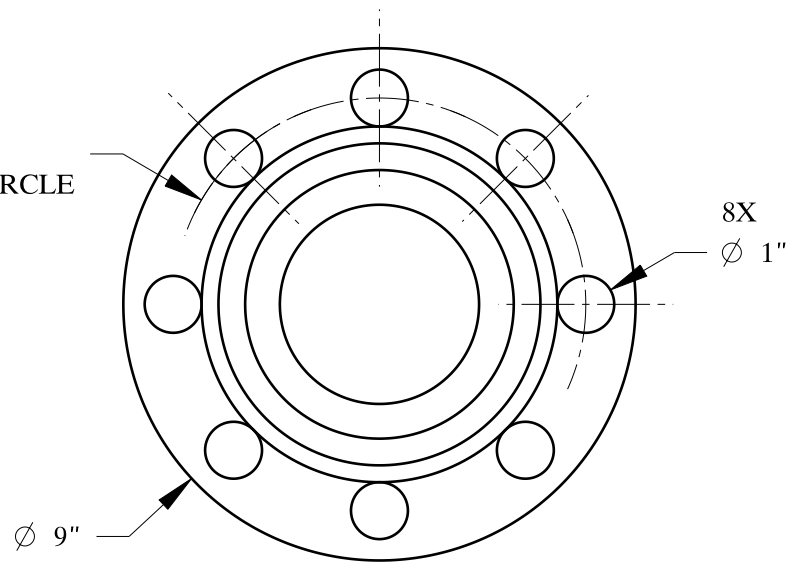
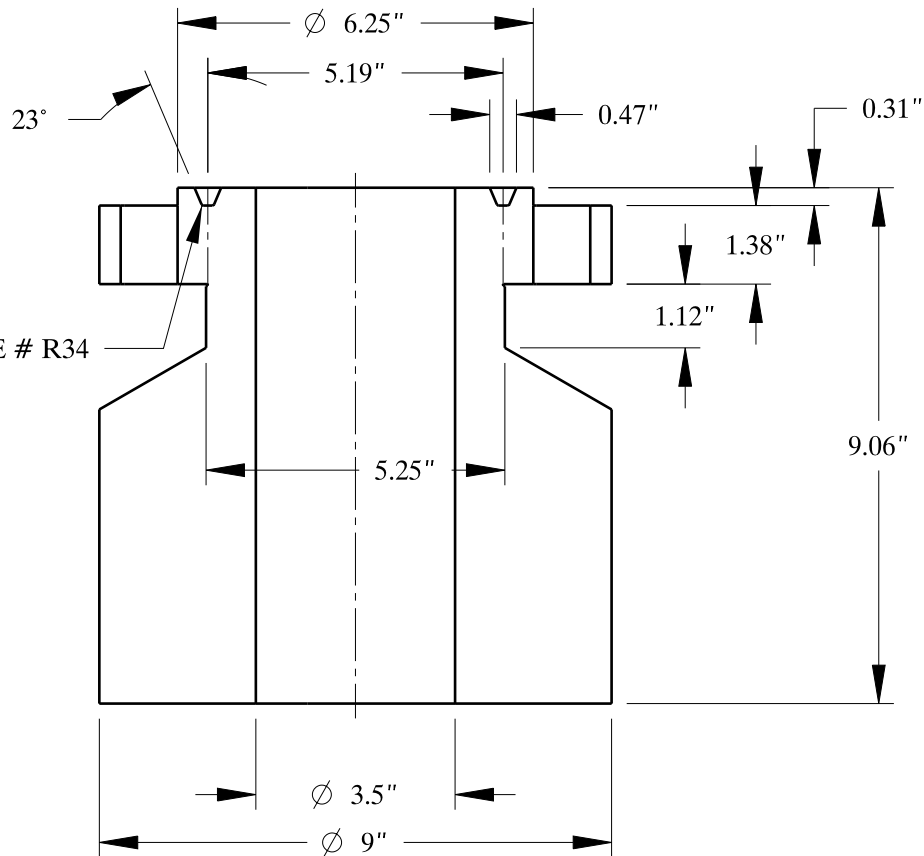


Ø 7.25"  
BOLT CIRCLE



8X  
Ø 1"

Ø 9"



GROOVE # R34

23°

Ø 6.25"

5.19"

0.47"

0.31"

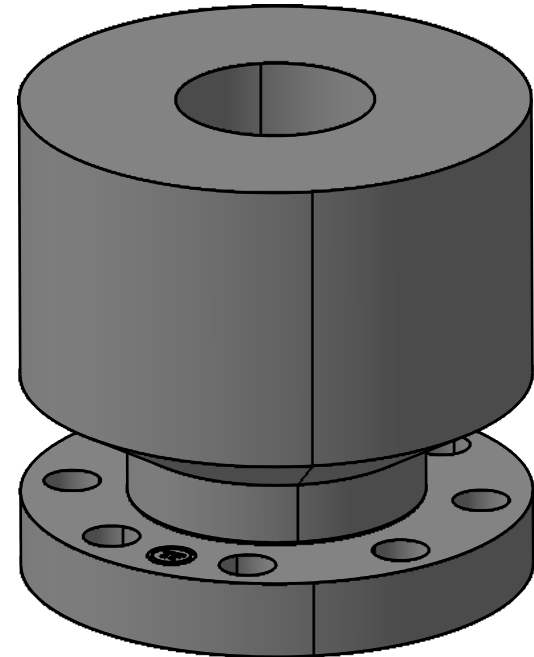
1.38"


1.12"

9.06"

Ø 3.5"

Ø 9"



|   |   |
|---|---|
| SIZE:   | NOM. PIPE SIZE 3.5 INCH   |
| TYPE:   | 600-EB-RTJ-STD-CONN-FLANGE  |
|  | <b>Texas<br/>Flange</b>   |
|   | PO Box 2889<br>Pearland, TX 77588<br>PH: 800-826-3801<br>FAX: 281-484-8730<br>www.texasflange.com |