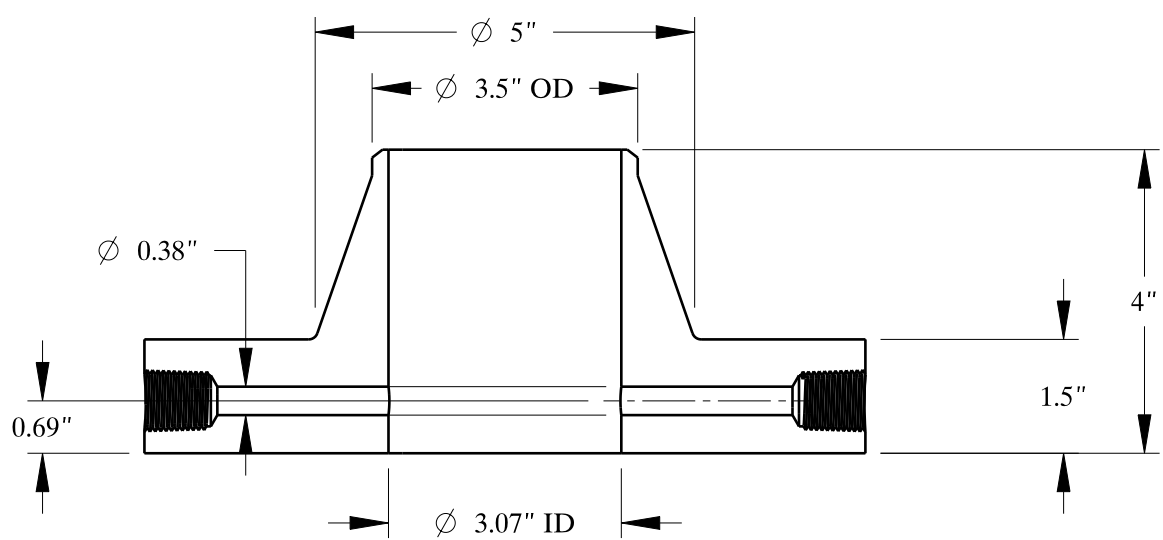
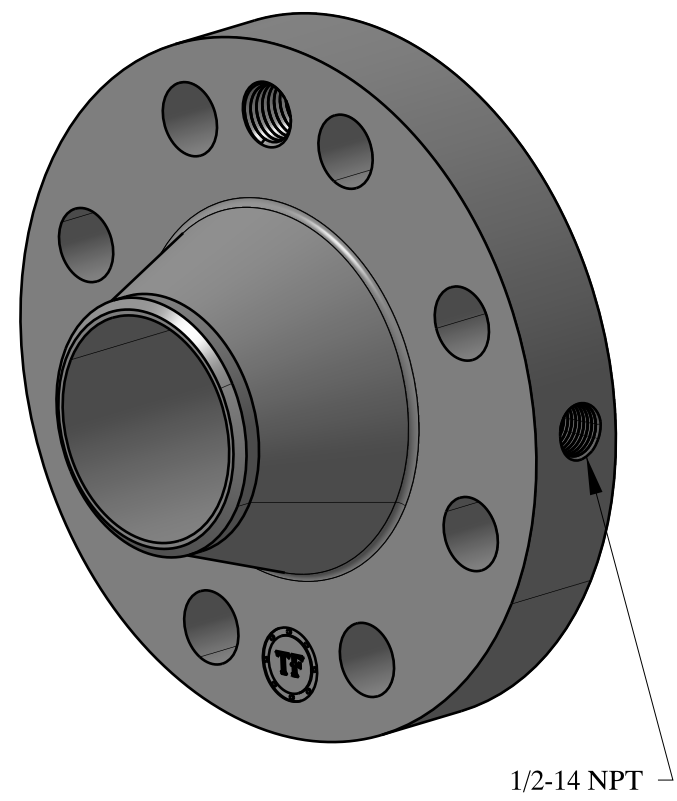
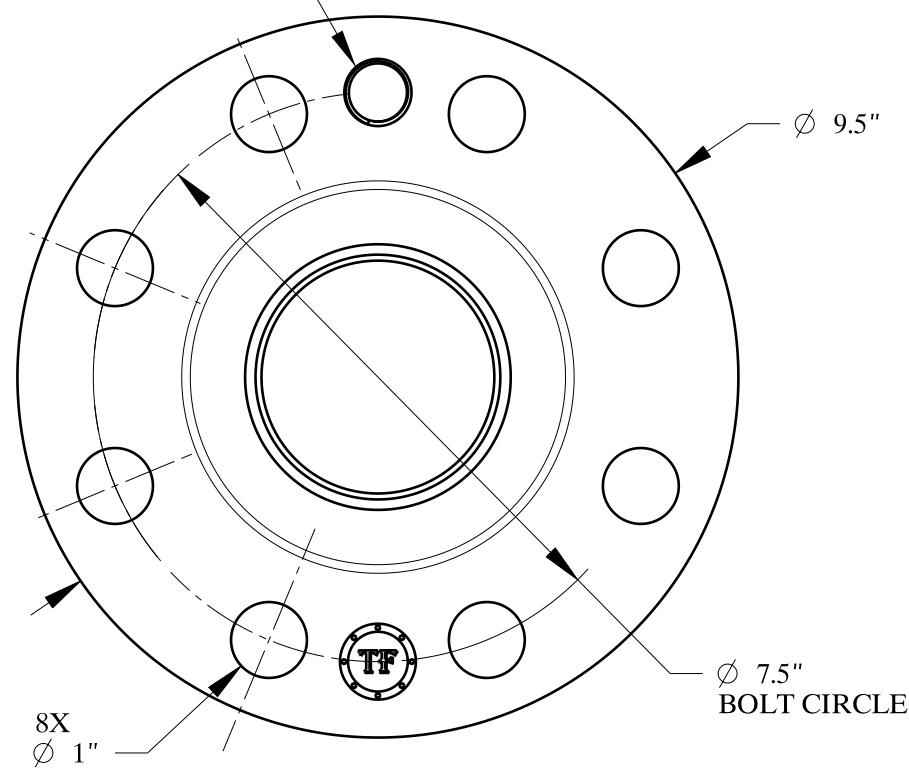


7/8-9 UNC  
FOR JACK BOLT



SIZE:	3" NOM. X SHC: STD
TYPE:	900-FF-WELD-NECK-ORIF-FLANGE
 <b>Texas Flange</b>	
PO Box 2889 Pearland, TX 77588 PH: 800-826-3801 FAX: 281-484-8730 <a href="http://www.texasflange.com">www.texasflange.com</a>	