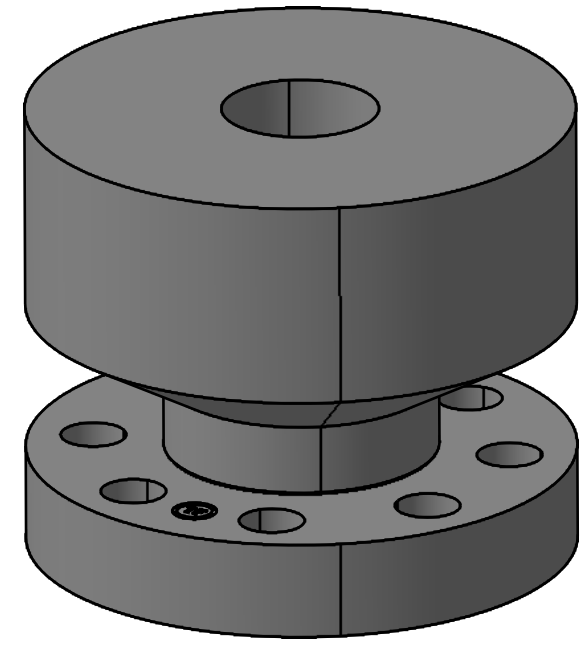
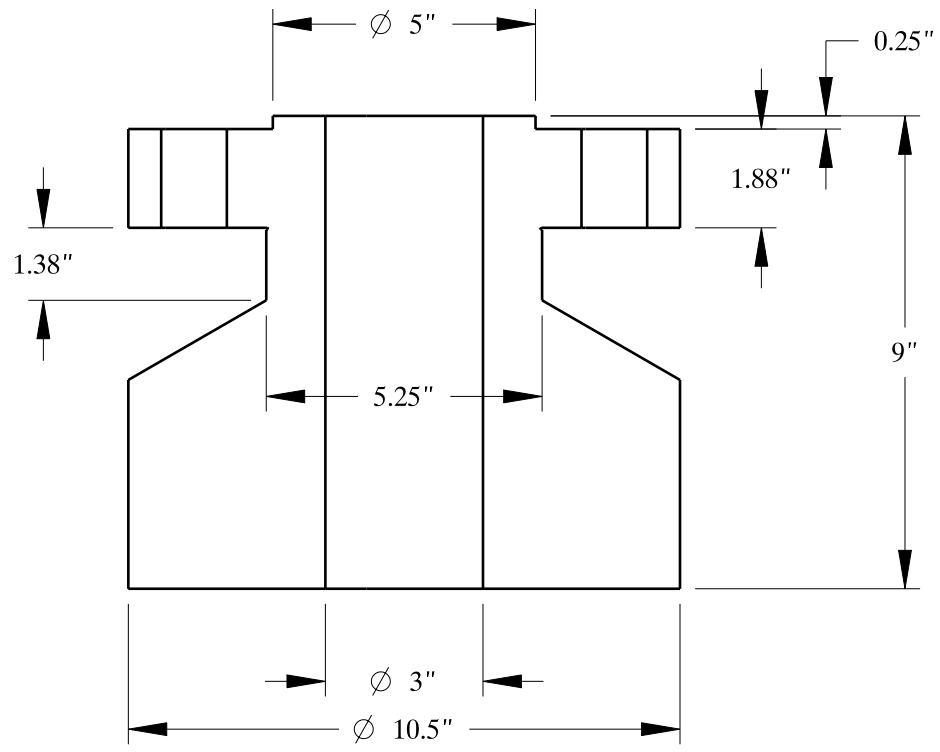



Ø 8"  
BOLT CIRCLE

Ø 10.5"

8X  
Ø 1.25"



SIZE:	NOM. PIPE SIZE 3 INCH
TYPE:	1500-EB-RF-STD-CONN-FLANGE
 <b>Texas Flange</b>	
PO Box 2889 Pearland, TX 77588 PH: 800-826-3801 FAX: 281-484-8730 <a href="http://www.texasflange.com">www.texasflange.com</a>	