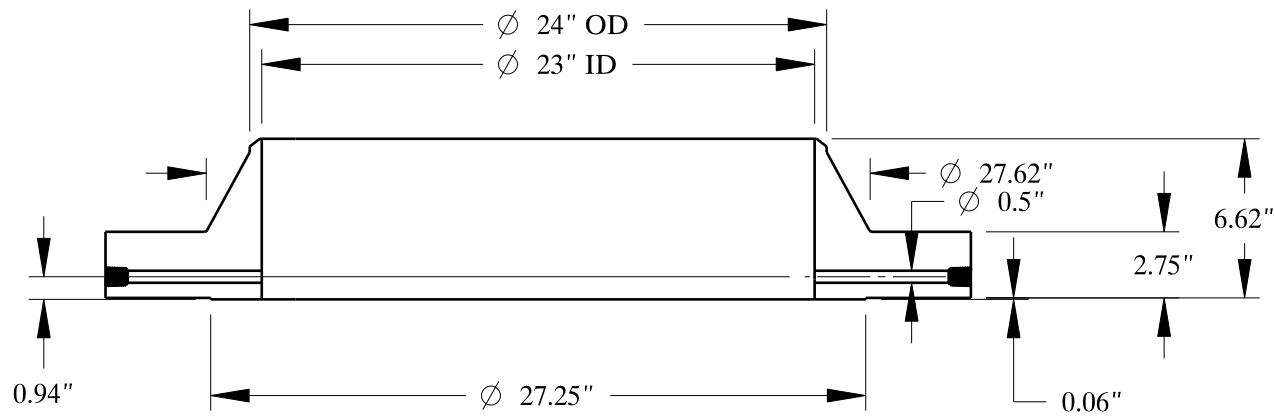
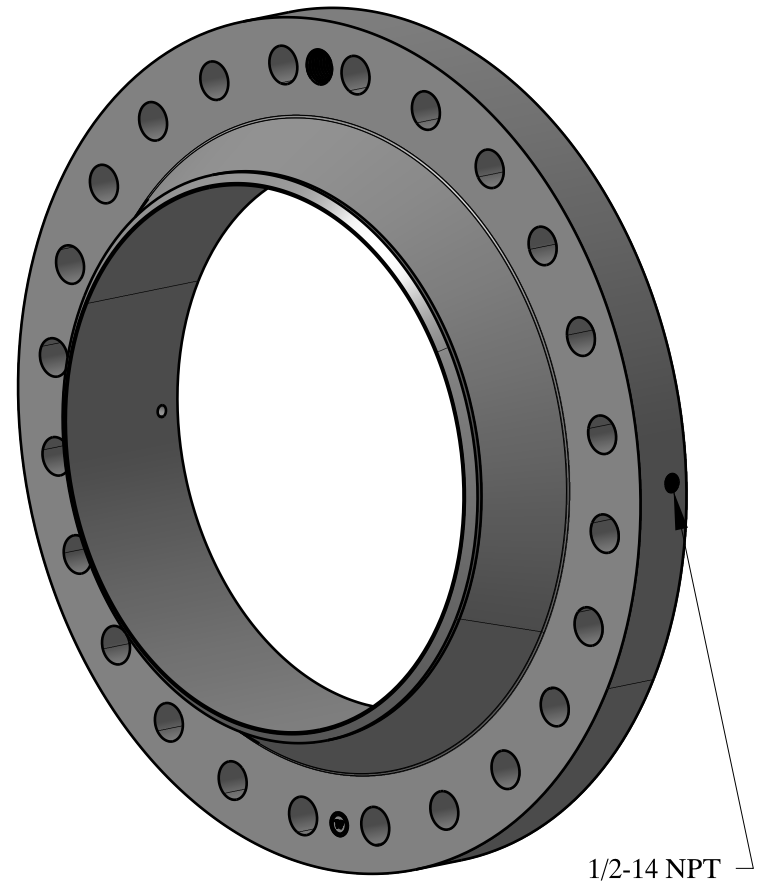
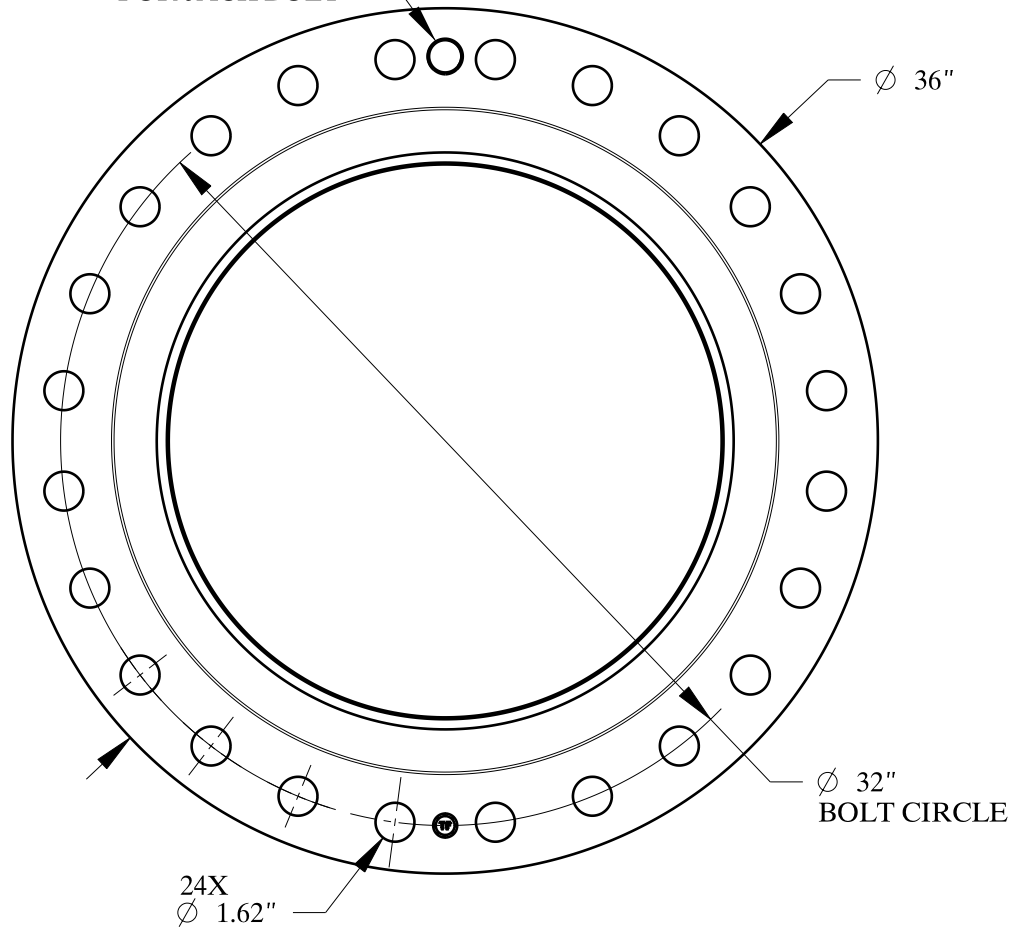


1 1/2-6 UNC
FOR JACK BOLT



SIZE:	24" NOM. X SHC: XH
TYPE:	300-RF-WELD-NECK-ORIF-FLANGE
 Texas Flange	