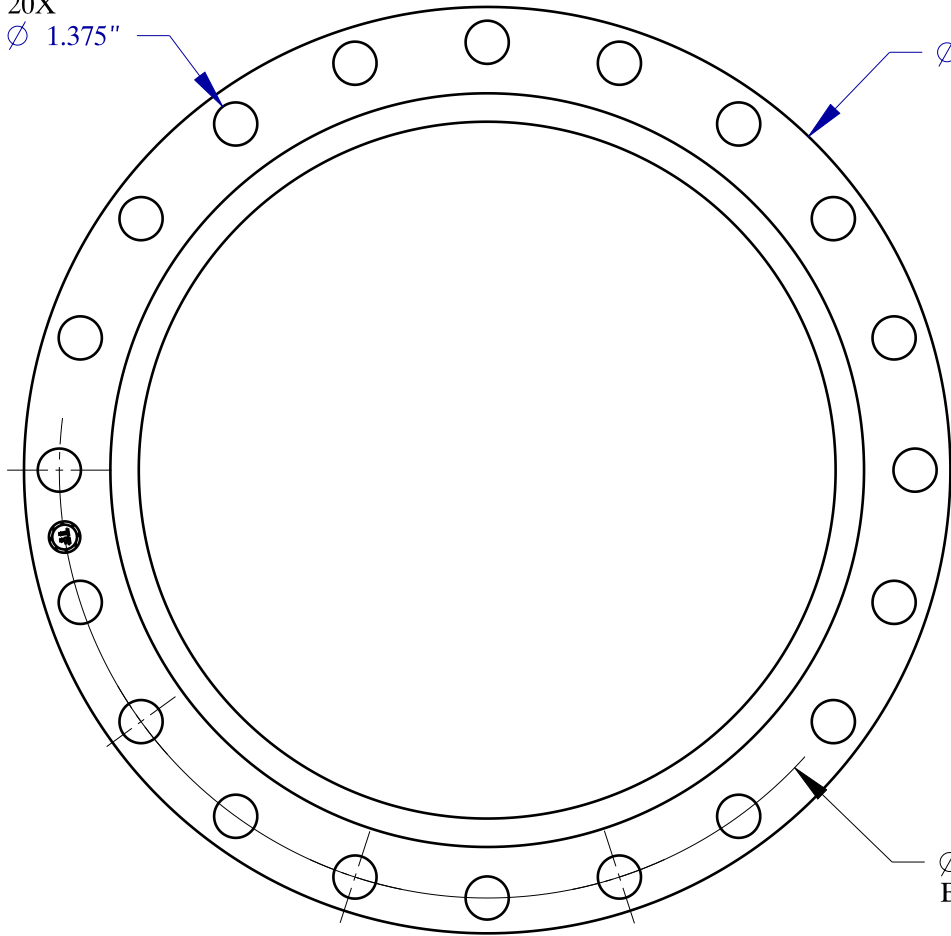
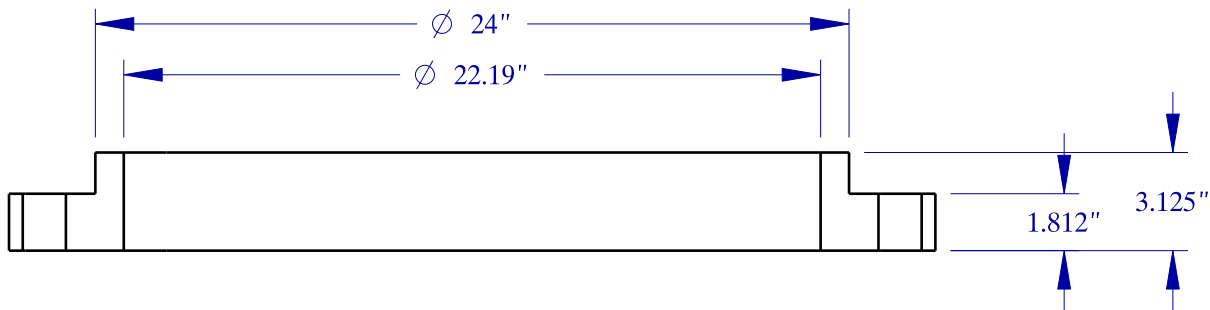
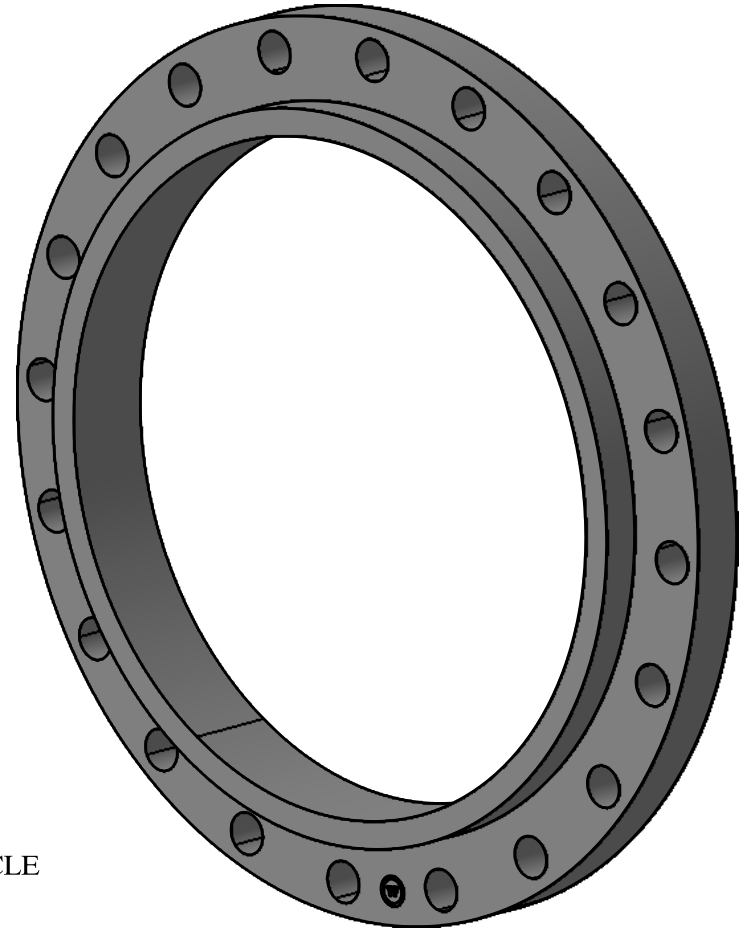


20X  
Ø 1.375"

Ø 29.5"



Ø 27.25"  
BOLT CIRCLE



SIZE: NOM PIPE SIZE 22 Inch

TYPE: AWWA CLASS 4E HUB-FF



**Texas**  
**Flange**

PO Box 2889  
Pearland, TX 77588  
PH: 800-826-3801  
FAX: 281-484-8730  
www.texasflange.com