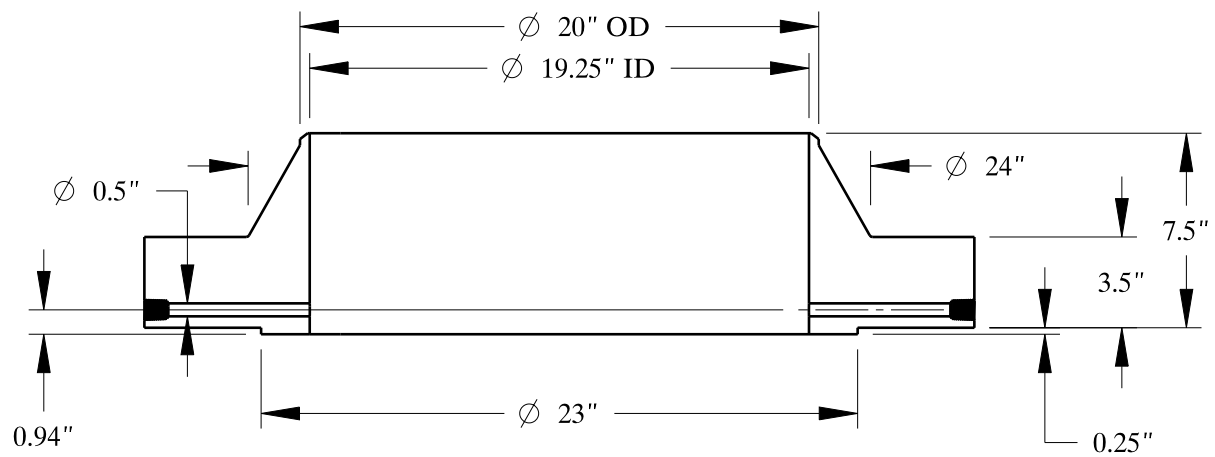
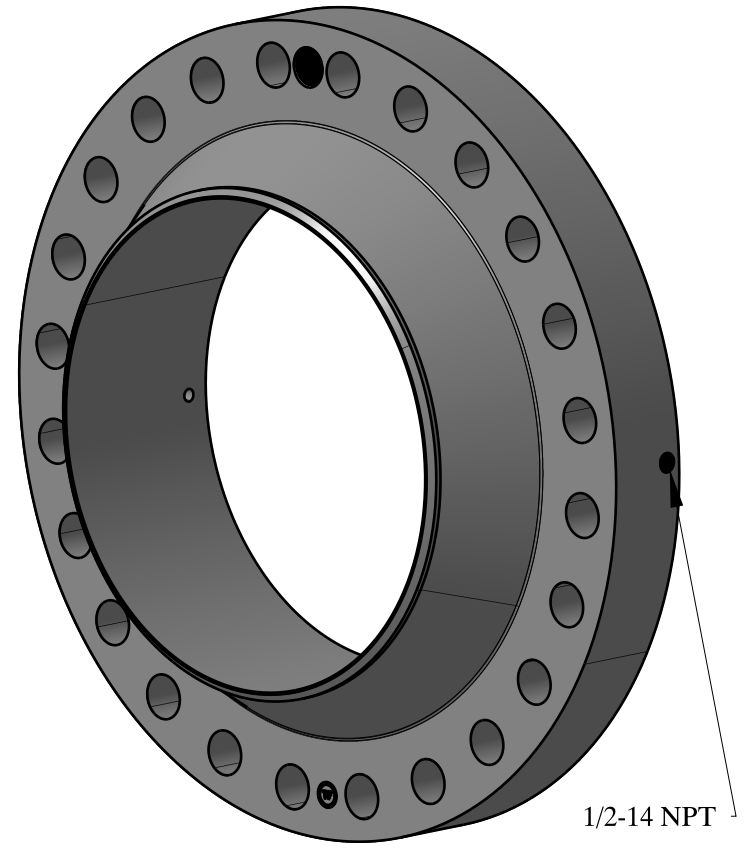
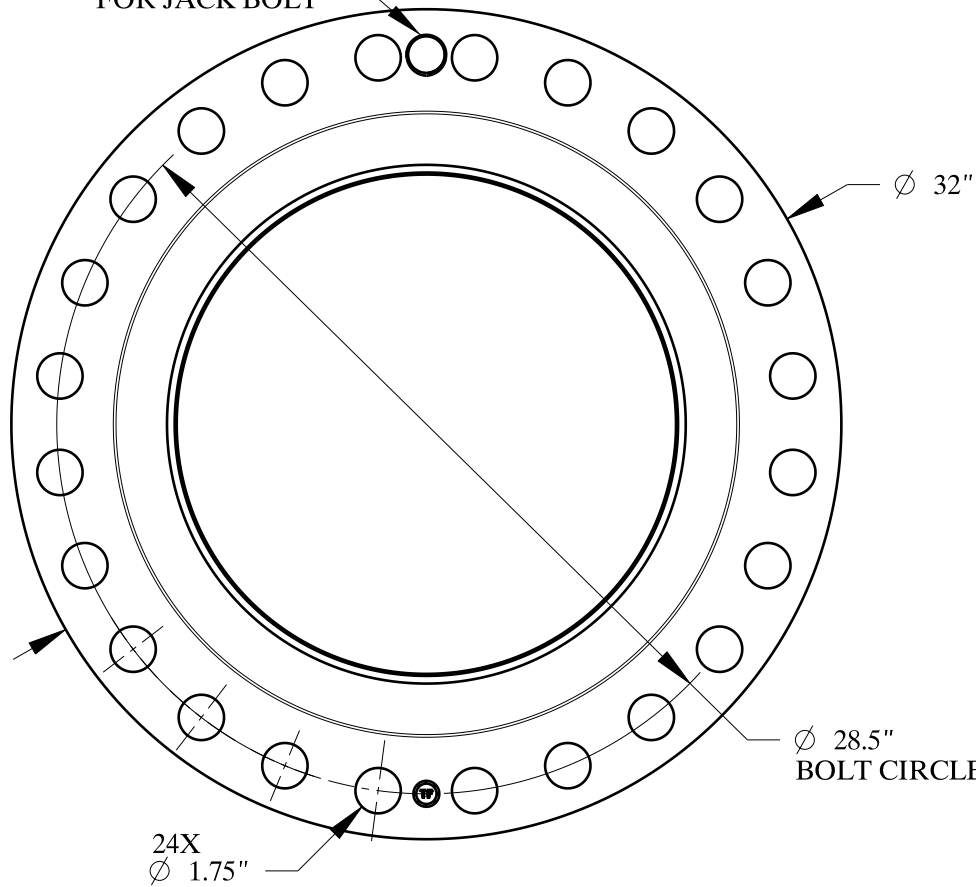


1 5/8-8 UN
FOR JACK BOLT



SIZE:	20" NOM. X SHC: 20
TYPE:	600-RF-WELD-NECK-ORIF-FLANGE
 Texas Flange	
PO Box 2889 Pearland, TX 77588 PH: 800-826-3801 FAX: 281-484-8730 www.texasflange.com	