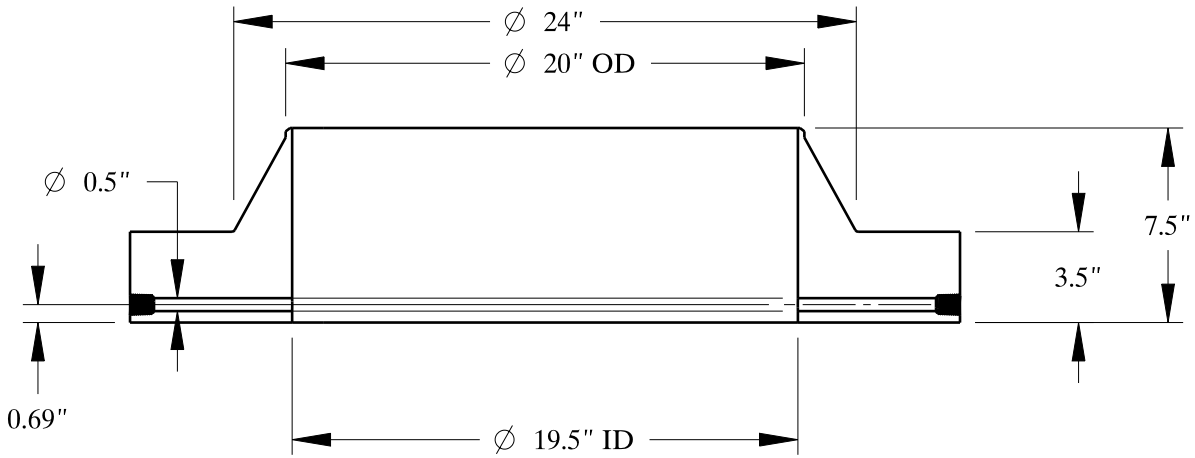
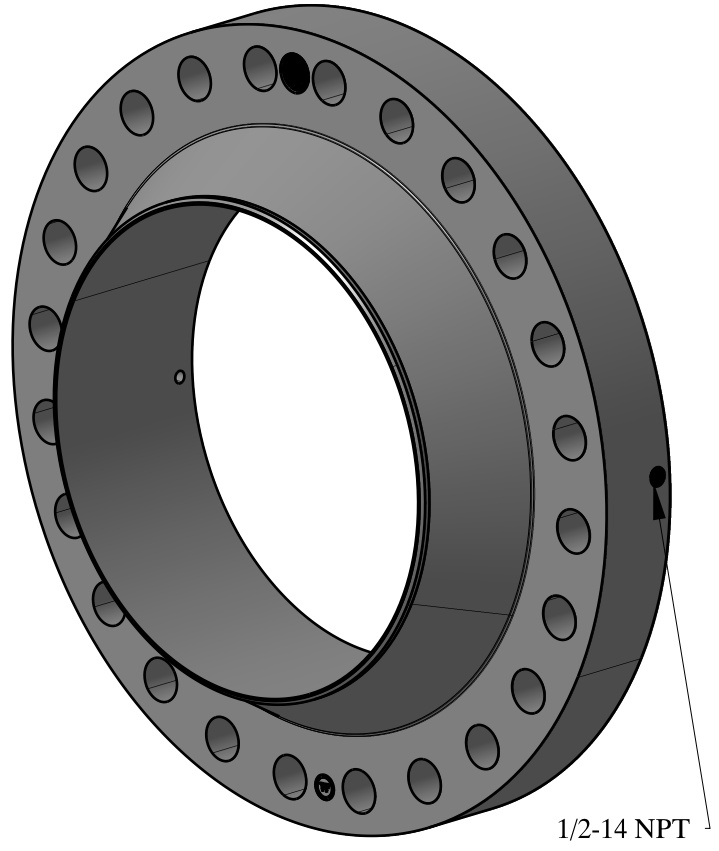
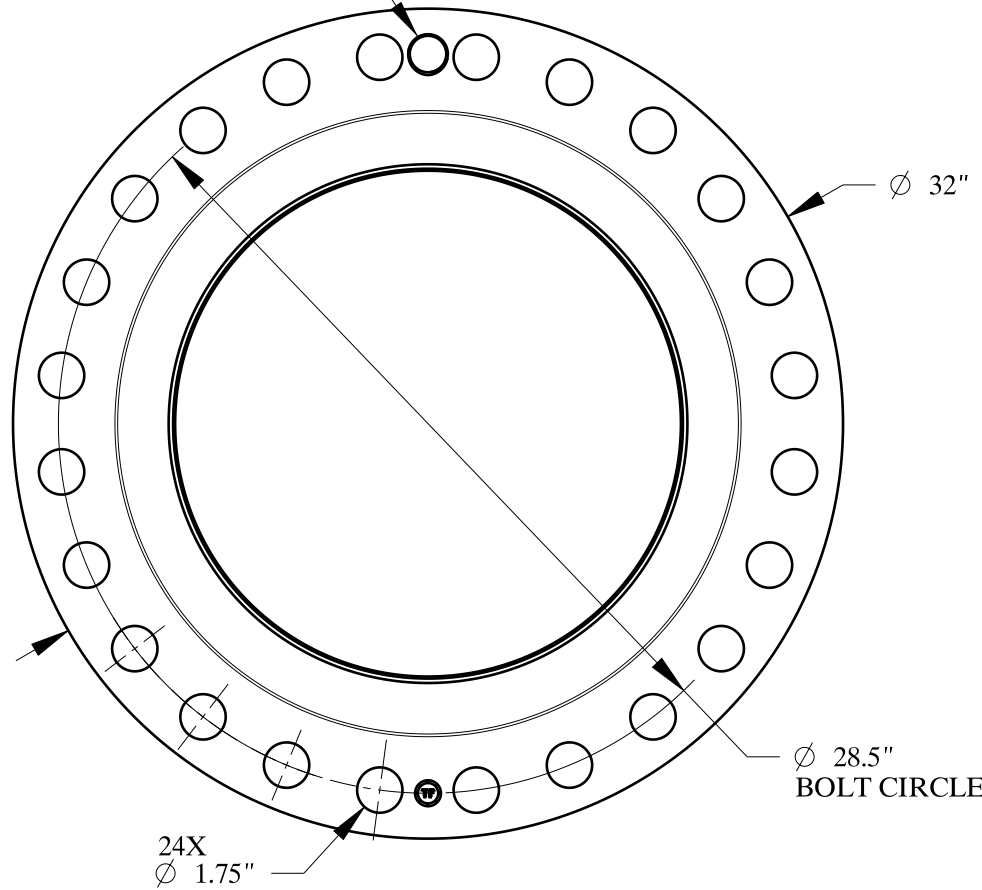


1 5/8-8 UN
FOR JACK BOLT



SIZE:	20" NOM. X SHC: 10	
TYPE:	600-FF-WELD-NECK-ORIF-FLANGE	
 Texas Flange		
		PO Box 2889
		Pearland, TX 77588
		PH: 800-826-3801
FAX: 281-484-8730		
www.texasflange.com		