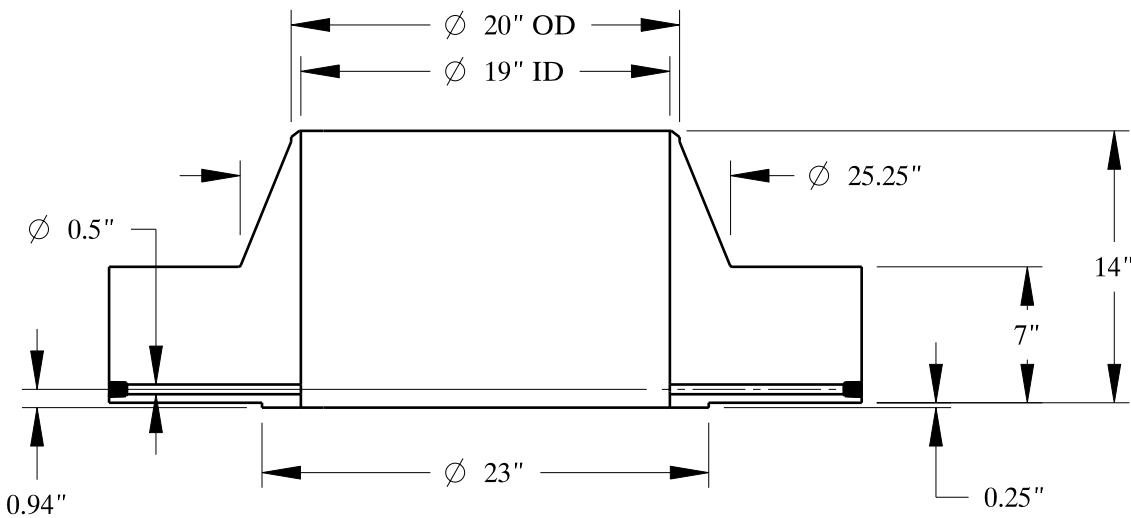
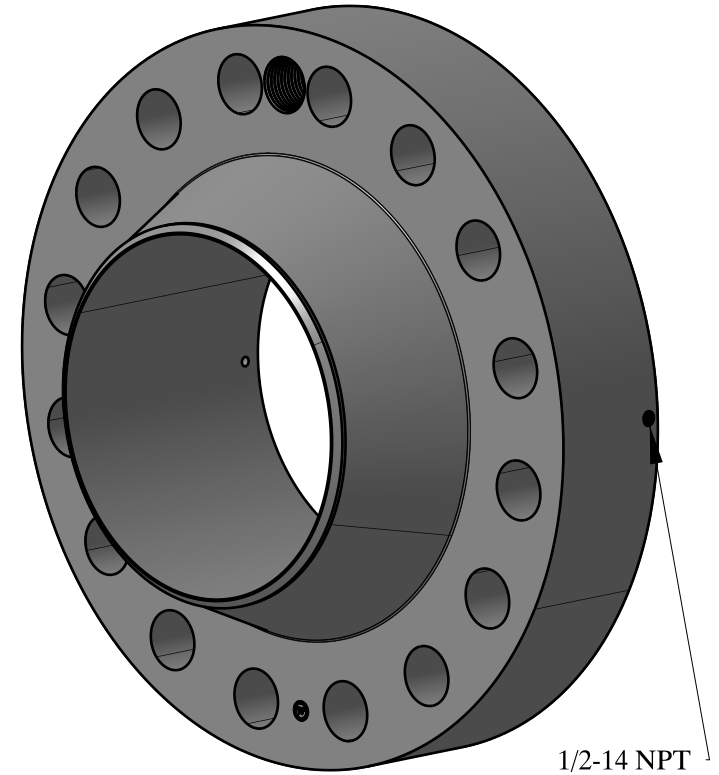
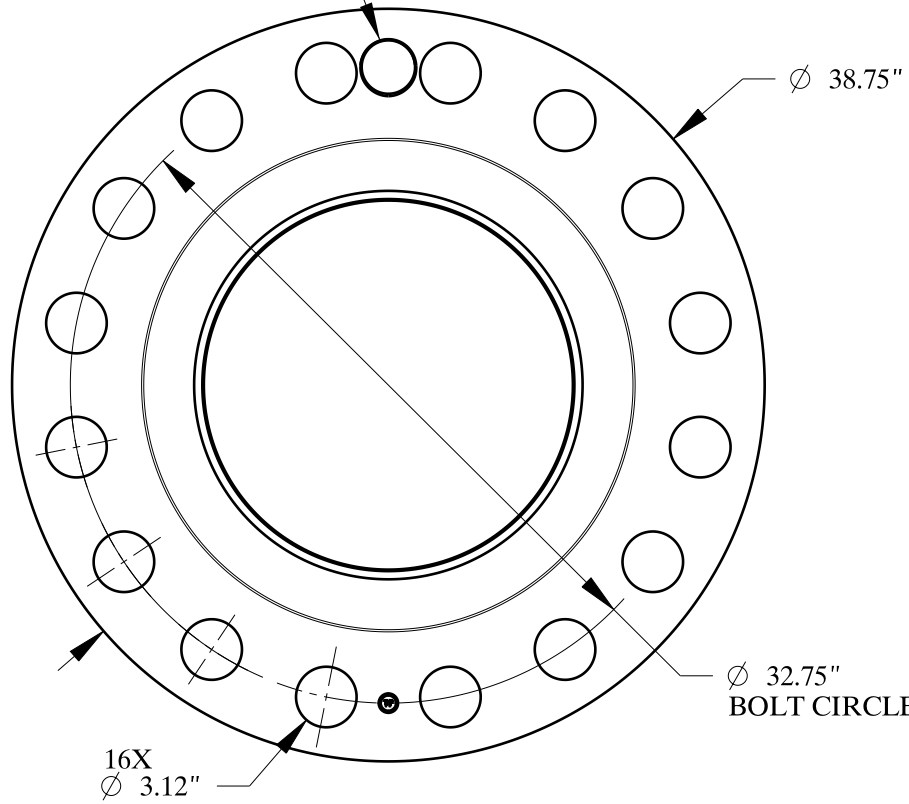


3-4 UNC
FOR JACK BOLT



SIZE:	20" NOM. X SHC: XH
TYPE:	1500-RF-WELD-NECK-ORIF-FLANGE
	Texas Flange
	PO Box 2889 Pearland, TX 77588 PH: 800-826-3801 FAX: 281-484-8730 www.texasflange.com