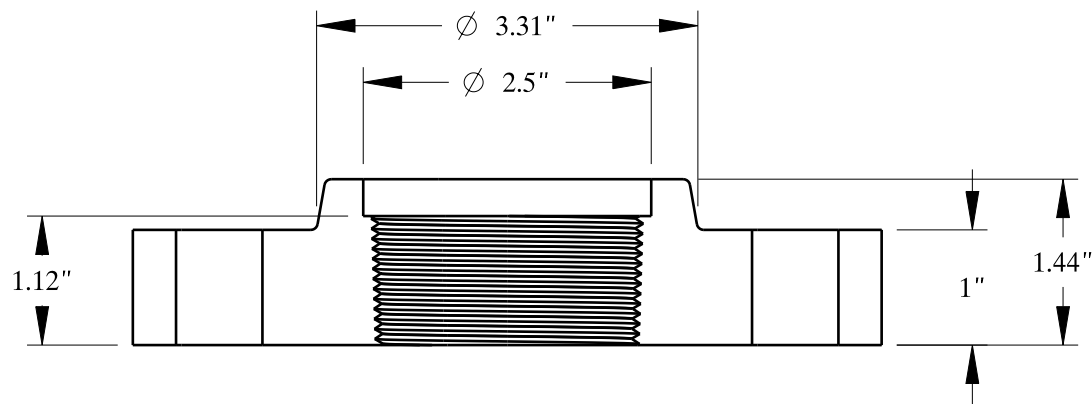
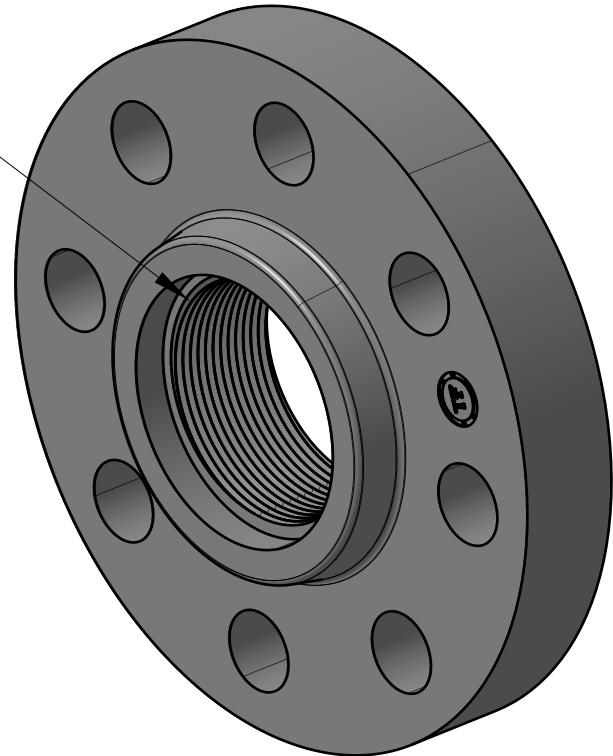


2-11 1/2 NPT



SIZE:	2" NOM. PIPE
TYPE:	400-THREADED-FF-FLANGE



Texas
Flange

PO Box 2889
 Pearland, TX 77588
 PH: 800-826-3801
 FAX: 281-484-8730
www.texasflange.com