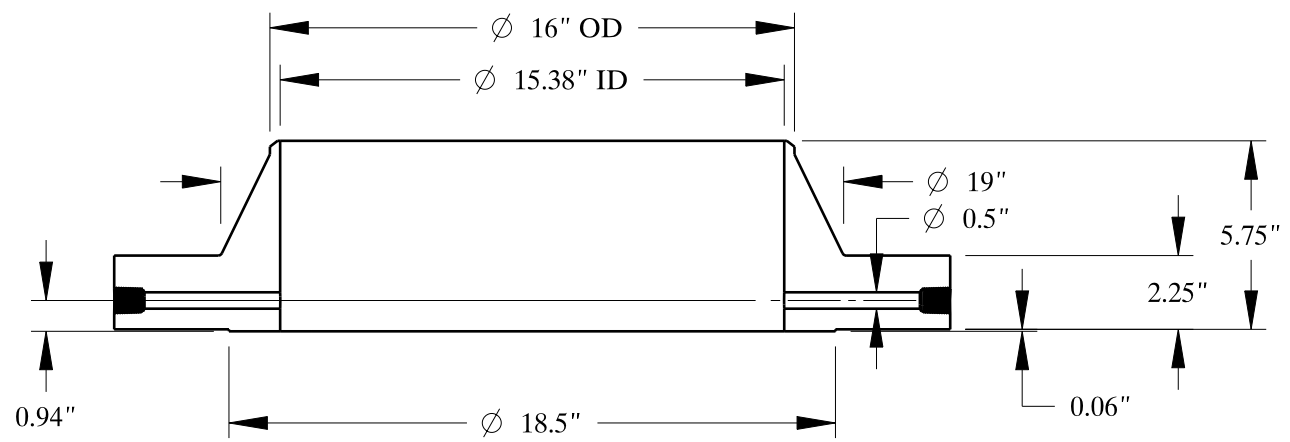
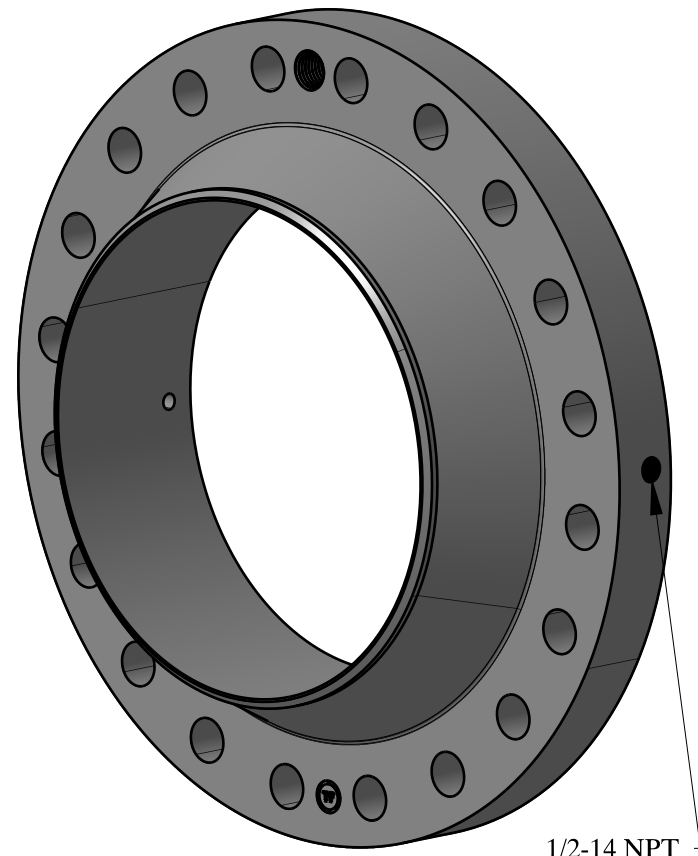
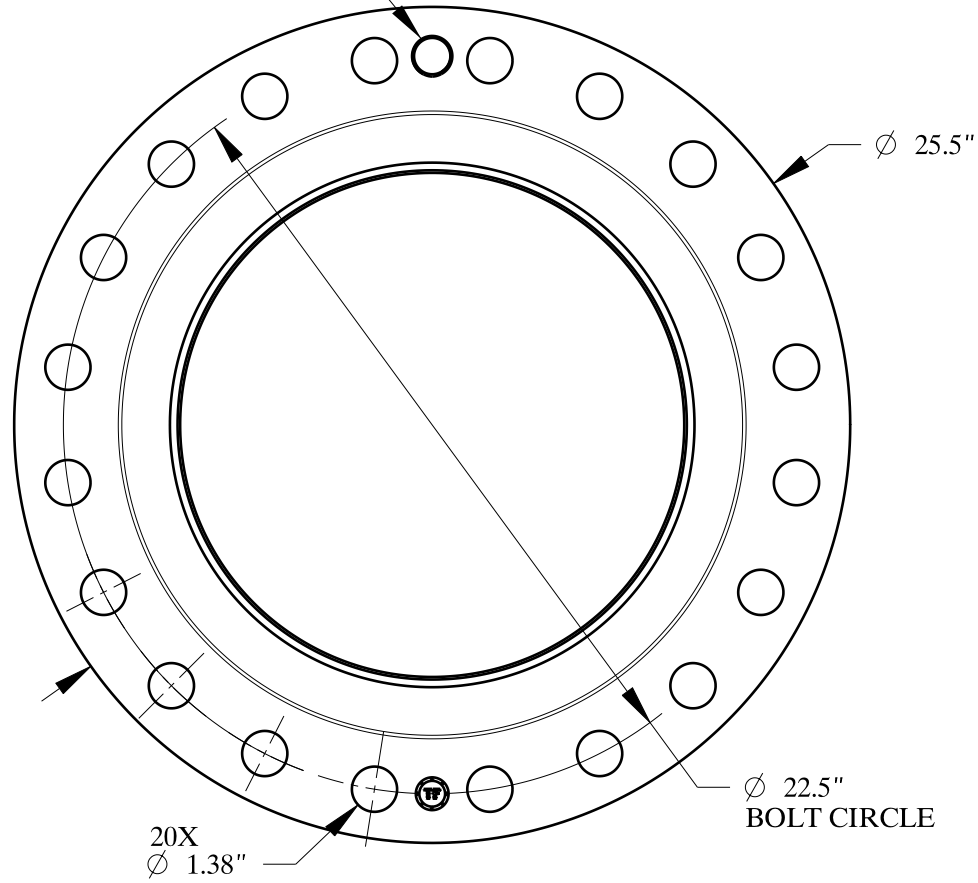


1 1/4-7 UNC  
FOR JACK BOLT



SIZE:	16" NOM. X SHC: 20
TYPE:	300-RF-WELD-NECK-ORIF-FLANGE