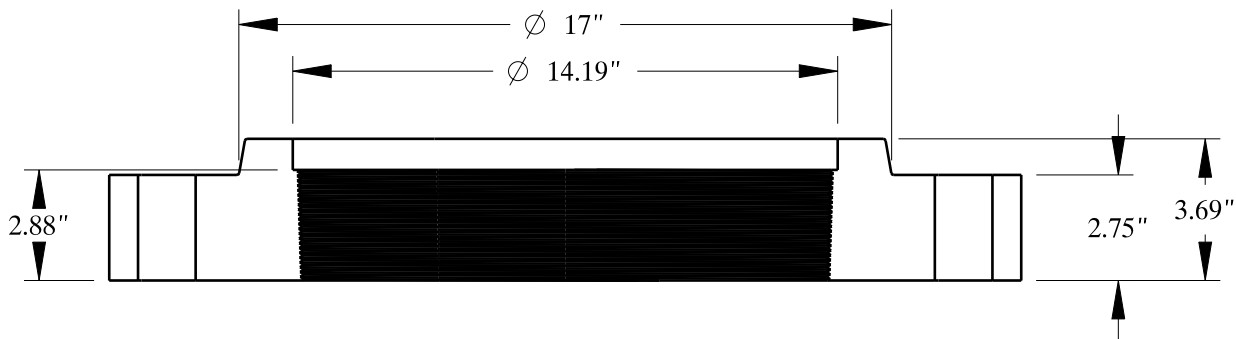
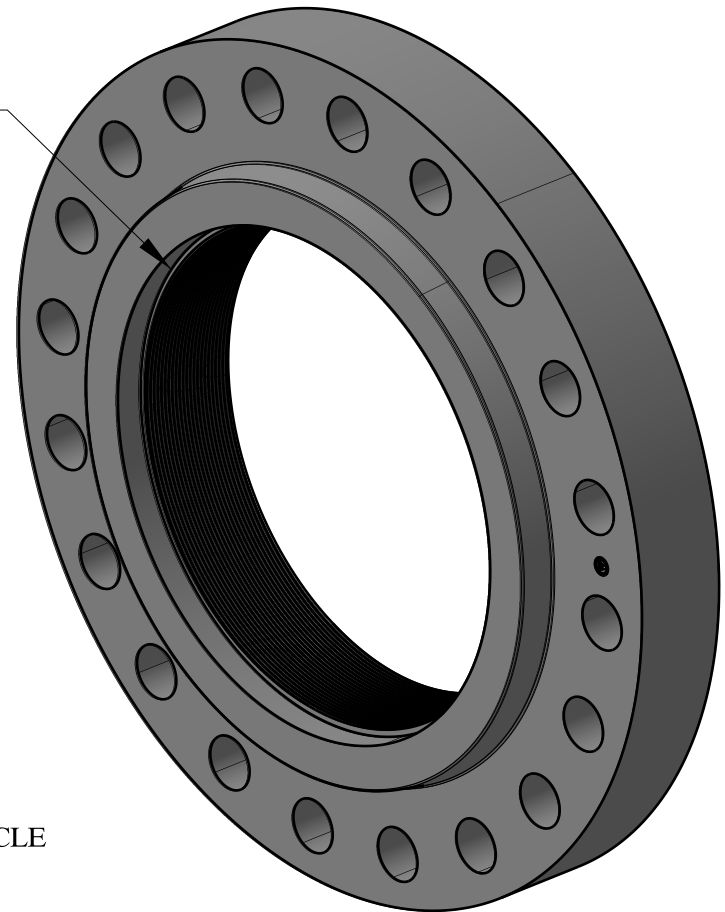



14-8 NPT



SIZE:	14" NOM. PIPE
TYPE:	600-THREADED-FF-FLANGE
 Texas Flange	
PO Box 2889 Pearland, TX 77588 PH: 800-826-3801 FAX: 281-484-8730 www.texasflange.com	