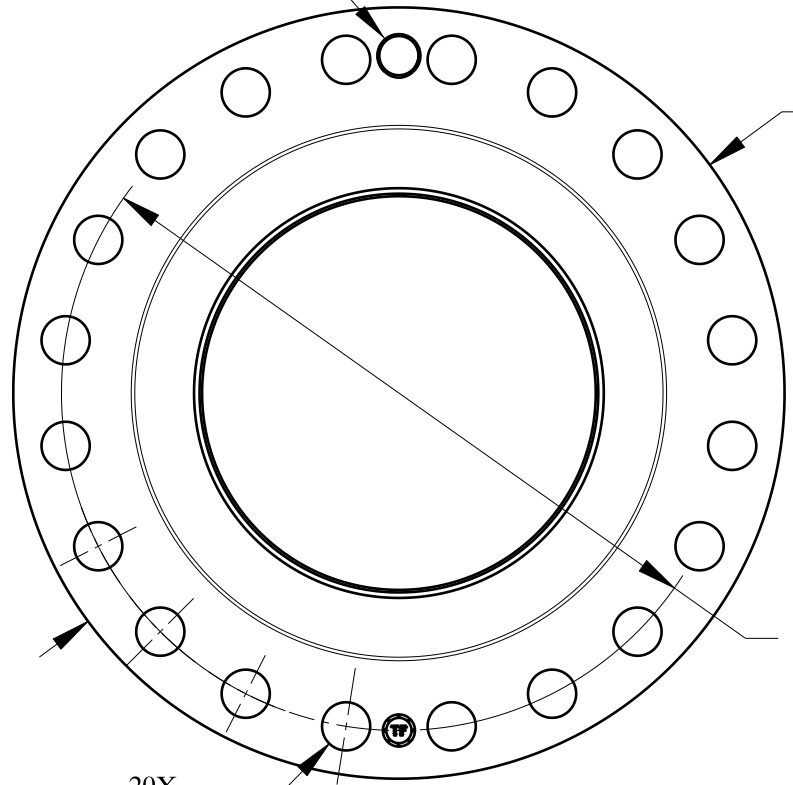


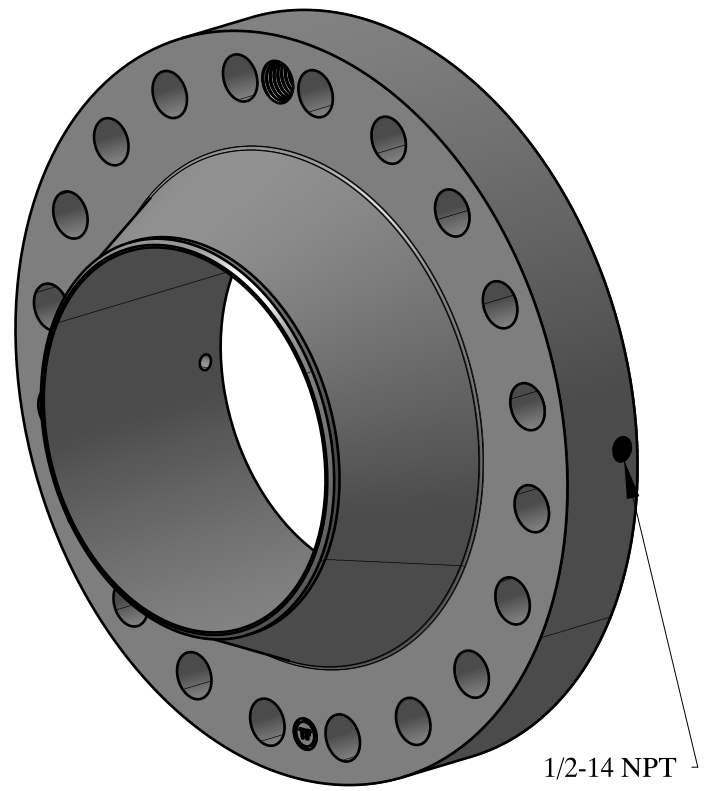
1 3/8-6 UNC  
FOR JACK BOLT



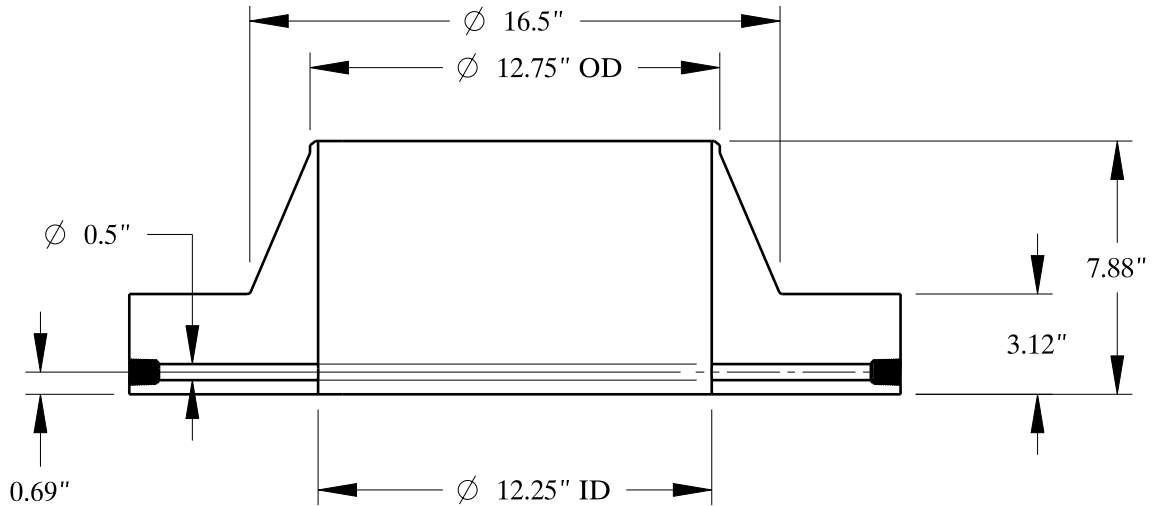
Ø 24"

Ø 21"  
BOLT CIRCLE

20X  
Ø 1.5"



1/2-14 NPT



|       |                              |
|-------|------------------------------|
| SIZE: | 12" NOM. X SHC: 20           |
| TYPE: | 900-FF-WELD-NECK-ORIF-FLANGE |
|       |                              |
|       |                              |