

Ø 17.75"
BOLT CIRCLE

Ø 20.5"

16X
Ø 1.38"

Ø 14.75"

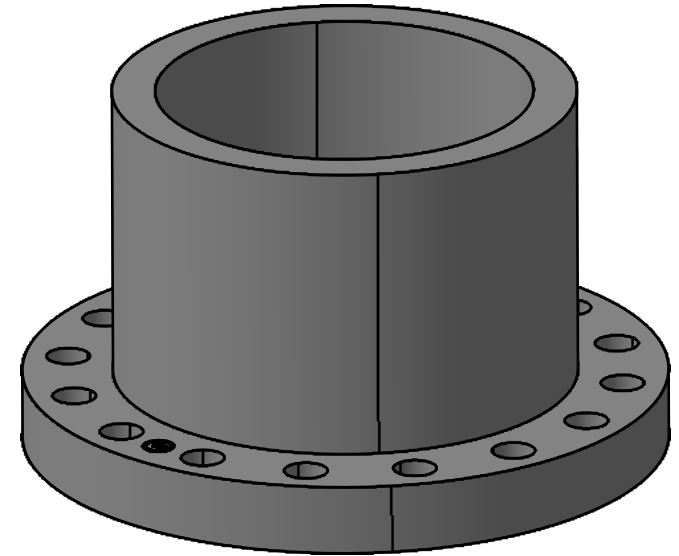
Ø 12"

12"

2.25"

0.25"

Ø 15"



SIZE:	NOM. PIPE SIZE 12 INCH
TYPE:	400-LWN-RF-STD-CONN-FLANGE
	Texas Flange
	PO Box 2889 Pearland, TX 77588 PH: 800-826-3801 FAX: 281-484-8730 www.texasflange.com