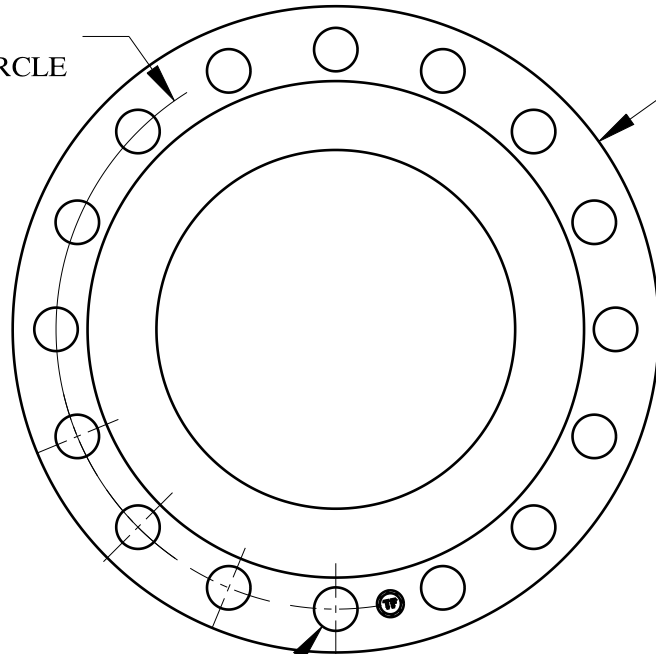
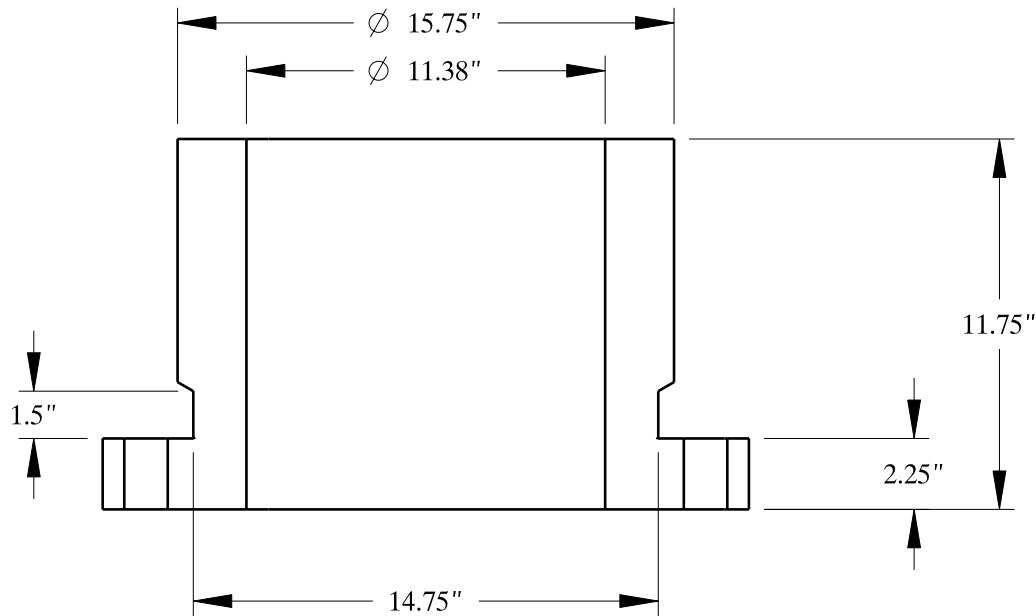
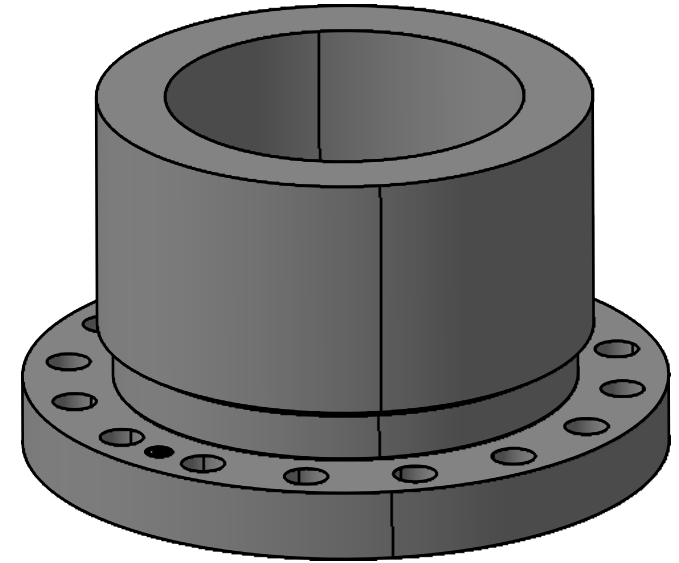


Ø 17.75"
BOLT CIRCLE

Ø 20.5"



16X
Ø 1.38"



SIZE: NOM. PIPE SIZE 12 INCH
TYPE: 400-HB-FF-STD-CONN-FLANGE



Texas
Flange

PO Box 2889
Pearland, TX 77588
PH: 800-826-3801
FAX: 281-484-8730
www.texasflange.com