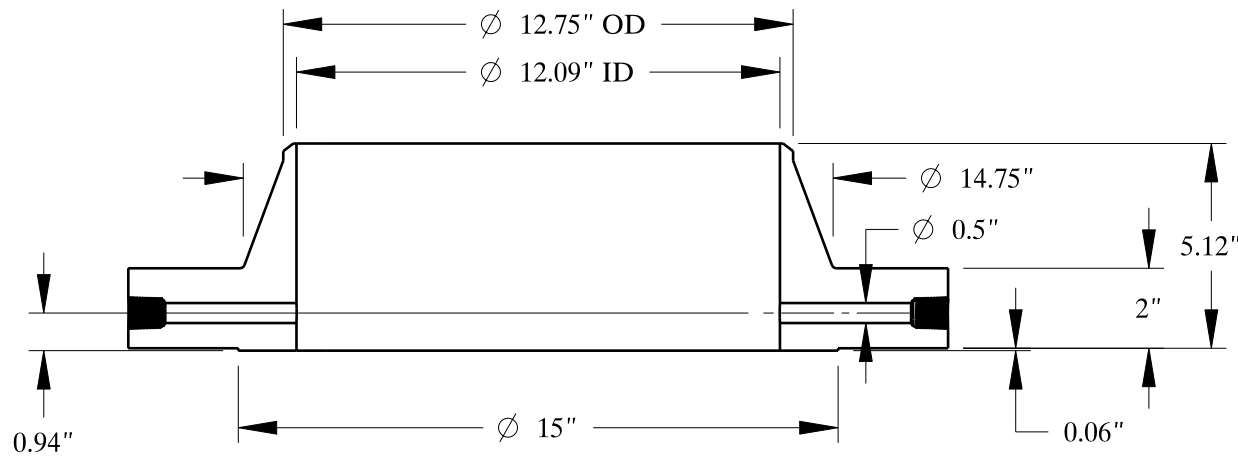
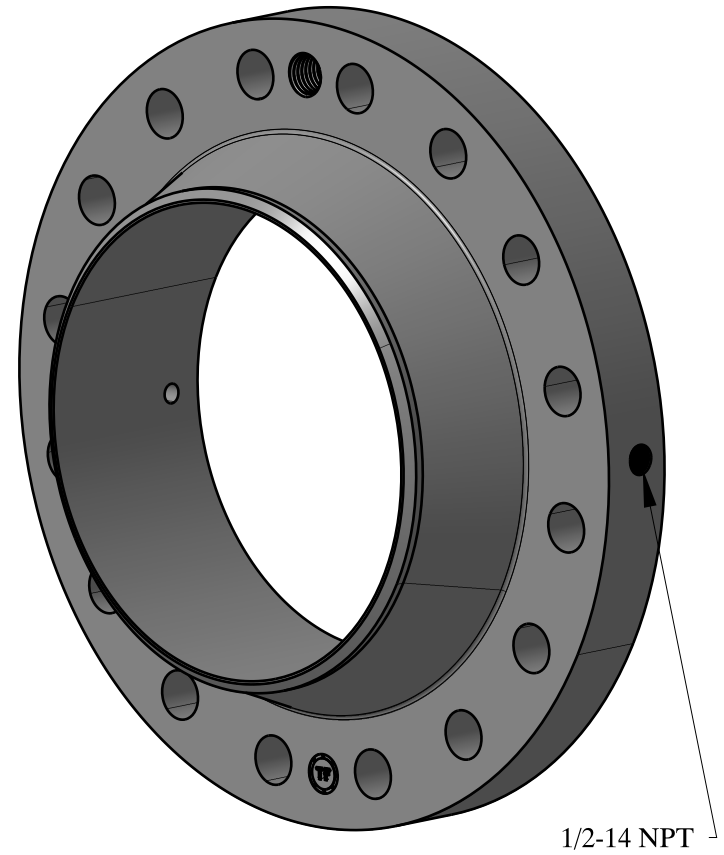
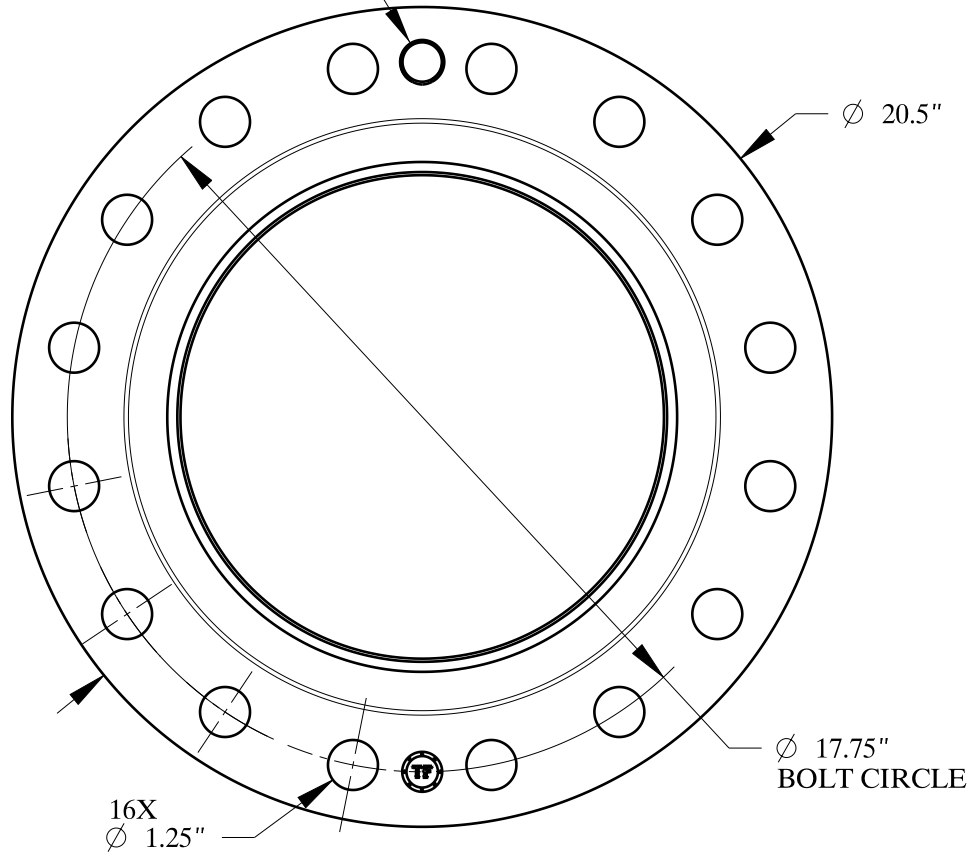


1 1/8-7 UNC  
FOR JACK BOLT



SIZE: 12" NOM. X SHC: 30  
TYPE: 300-RF-WELD-NECK-ORIF-FLANGE

	<b>Texas</b>	PO Box 2889
	<b>Flange</b>	Pearland, TX 77588
		PH: 800-826-3801
		FAX: 281-484-8730
		www.texasflange.com