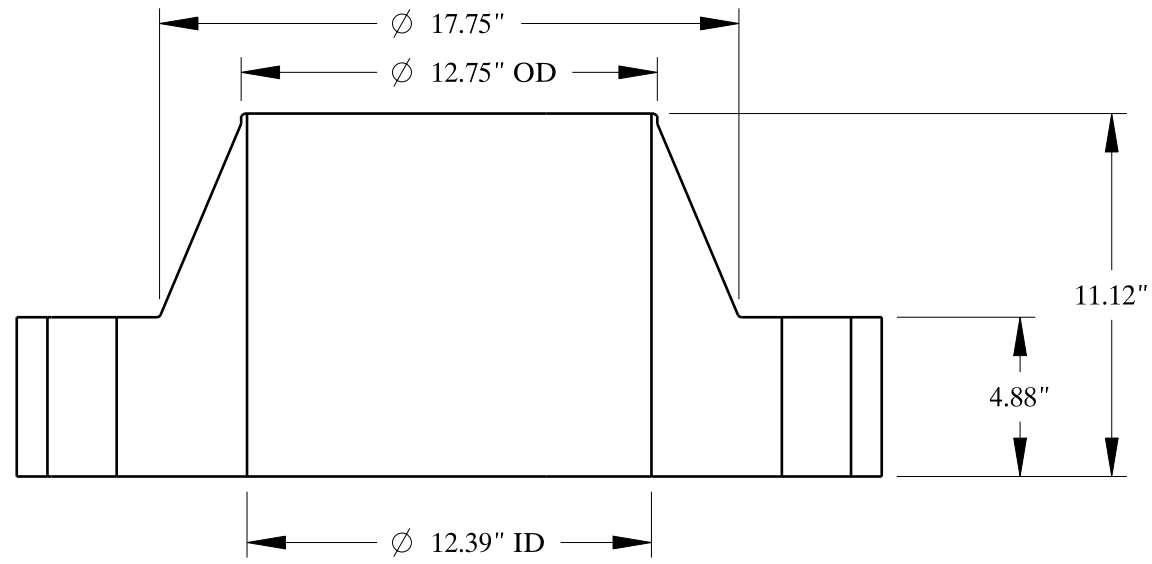
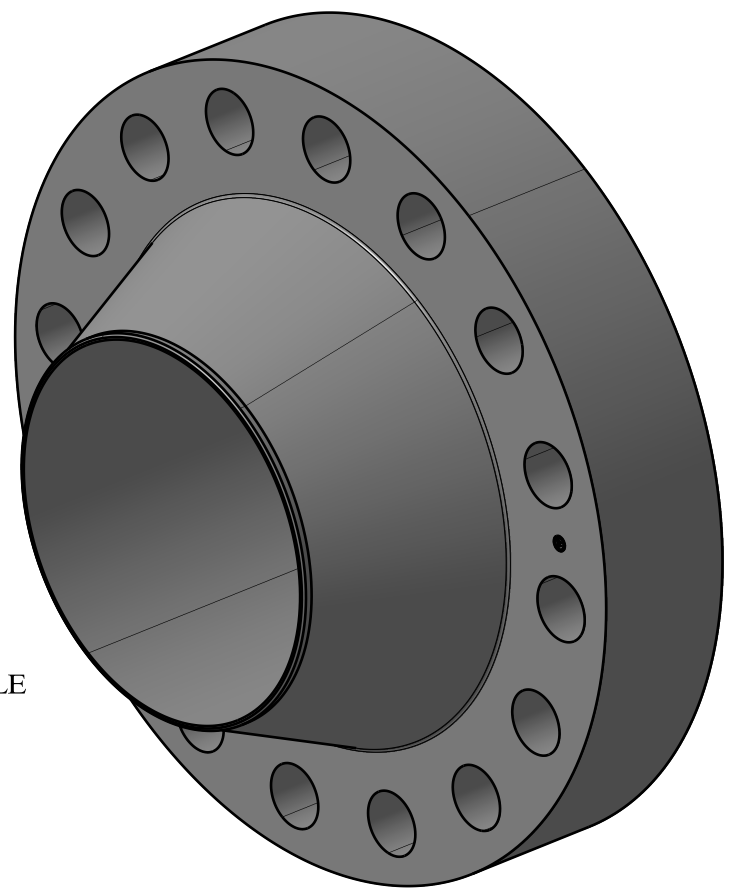


Ø 26.5"

16X
Ø 2.12"

Ø 22.5"
BOLT CIRCLE



Ø 17.75"

Ø 12.75" OD

11.12"

4.88"

Ø 12.39" ID

SIZE:	12" NOM. X SHC: 10
TYPE:	1500-WELD-NECK-FF-FLANGE
PO Box 2889 Pearland, TX 77588 PH: 800-826-3801 FAX: 281-484-8730 www.texasflange.com	