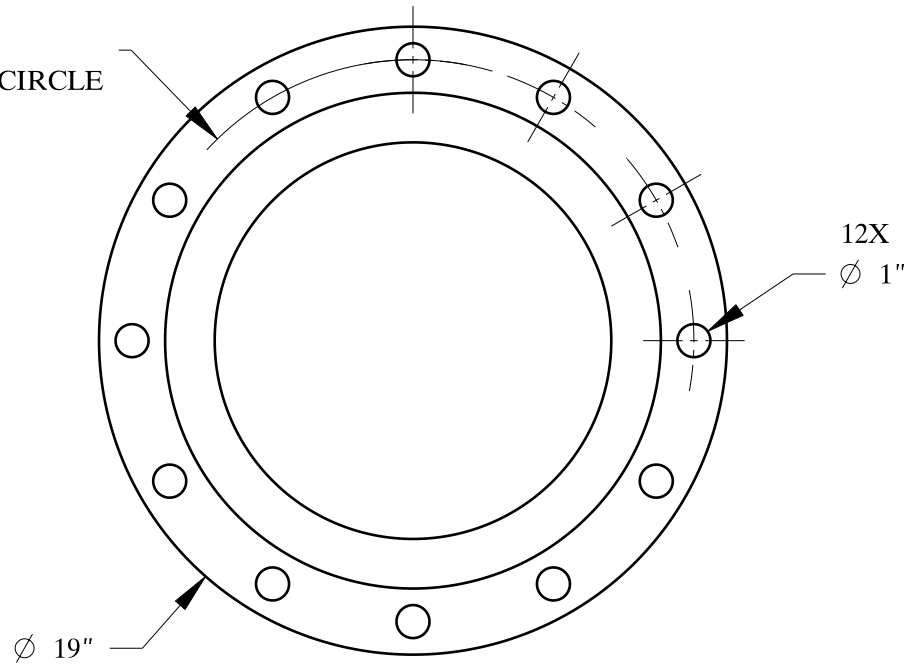
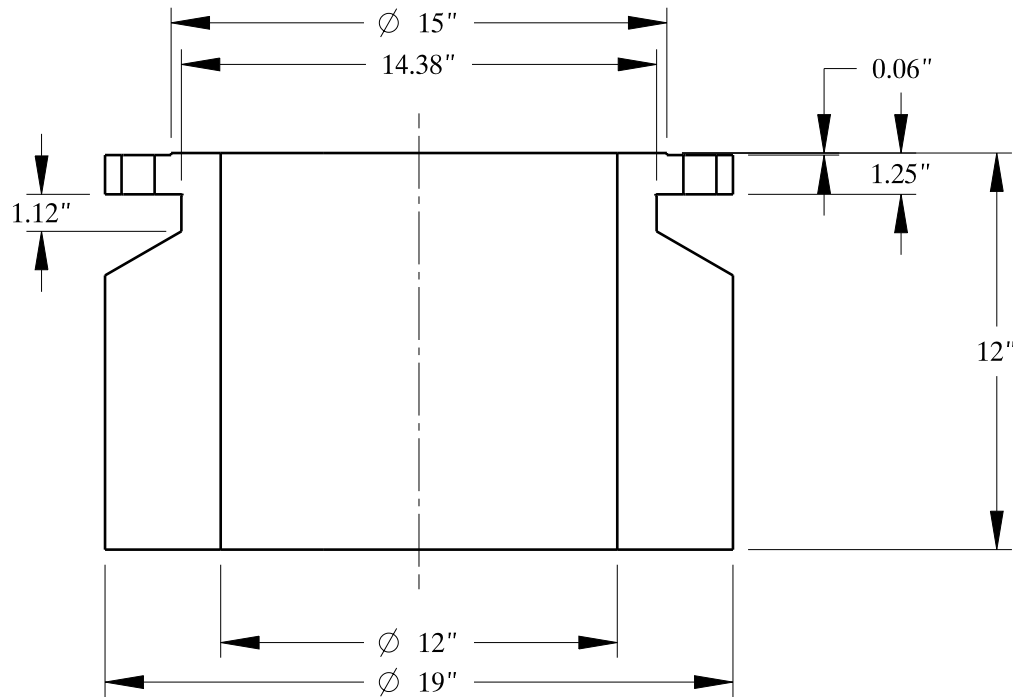
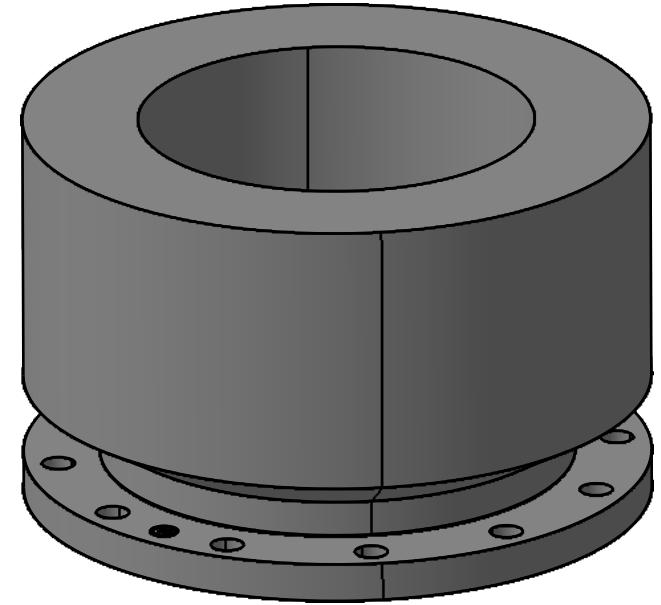


Ø 17"
BOLT CIRCLE



12X
Ø 1"

Ø 19"



SIZE:	NOM. PIPE SIZE 12 INCH
TYPE:	150-EB-RF-STD-CONN-FLANGE
 Texas Flange	
PO Box 2889 Pearland, TX 77588 PH: 800-826-3801 FAX: 281-484-8730 www.texasflange.com	