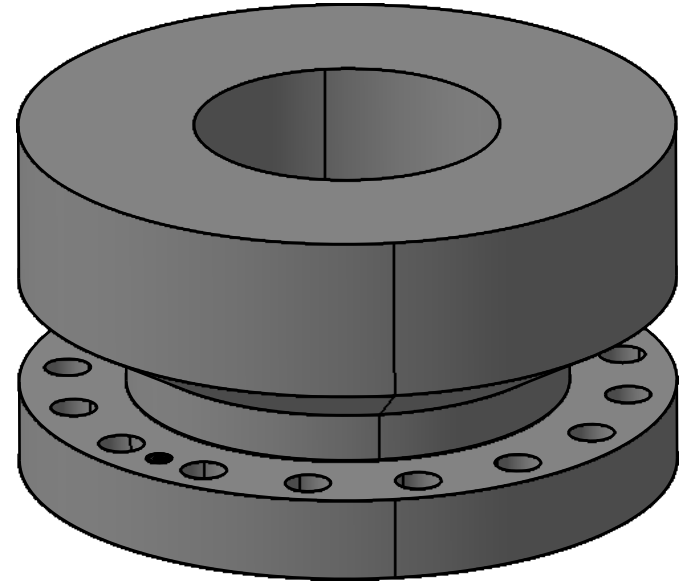
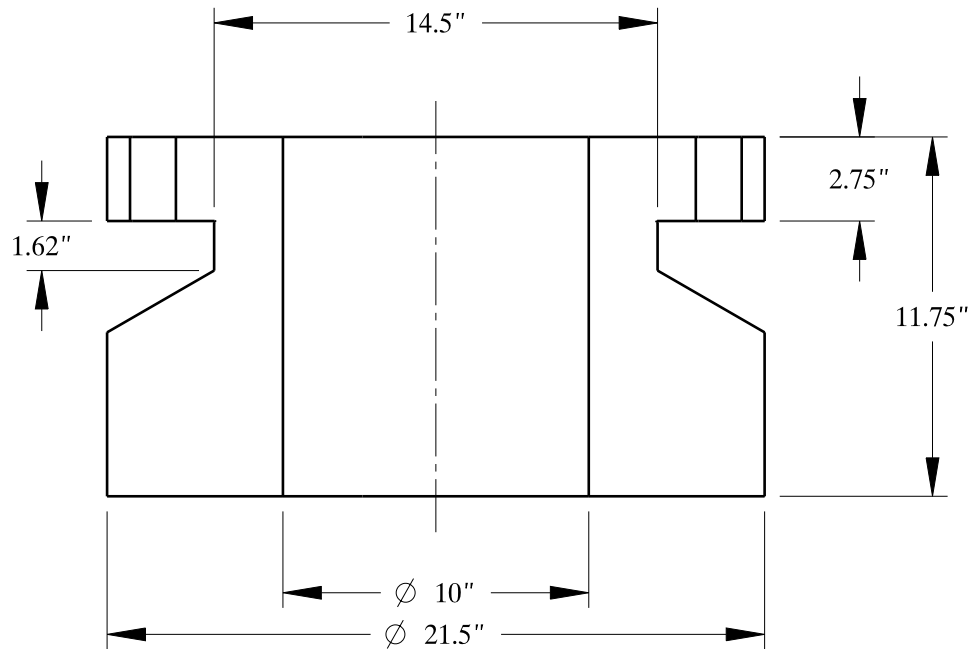
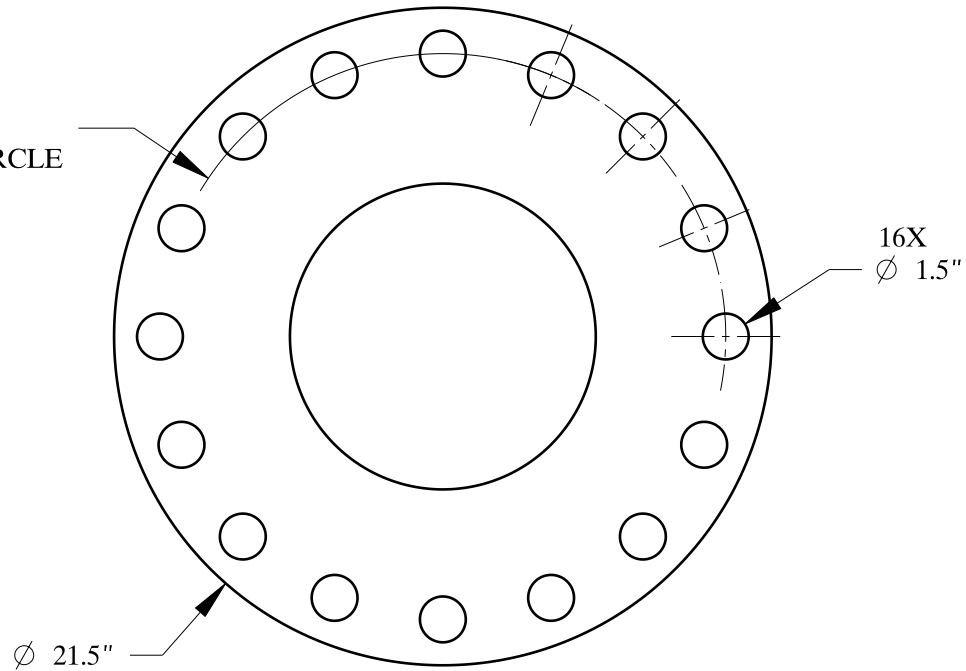



Ø 18.5"
BOLT CIRCLE



SIZE:	NOM. PIPE SIZE 10 INCH
TYPE:	900-EB-FF-STD-CONN-FLANGE
	Texas Flange
	PO Box 2889 Pearland, TX 77588 PH: 800-826-3801 FAX: 281-484-8730 www.texasflange.com