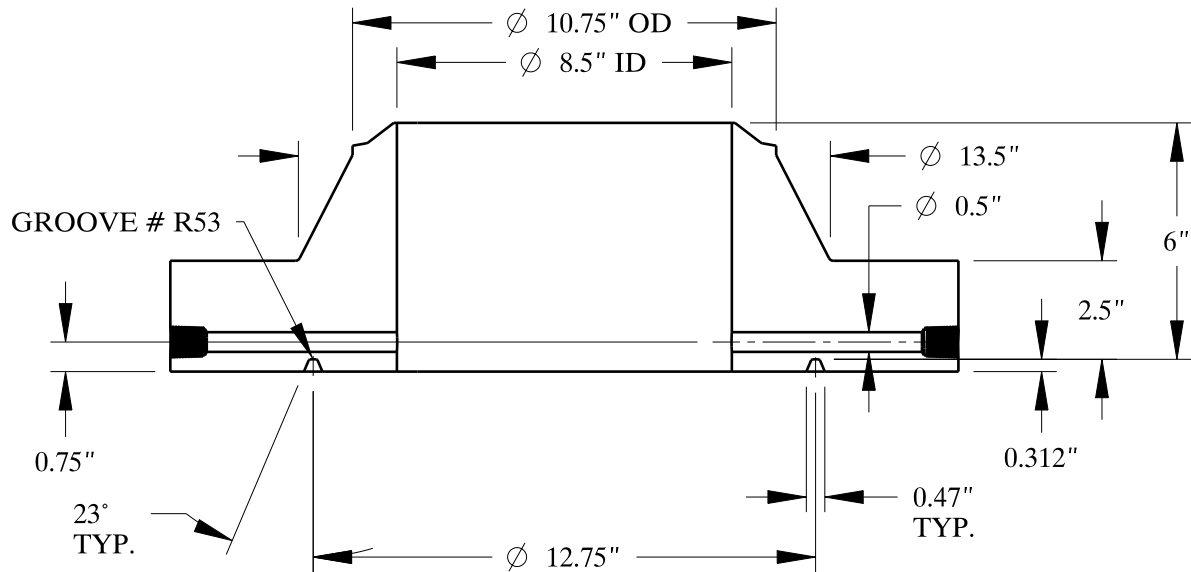
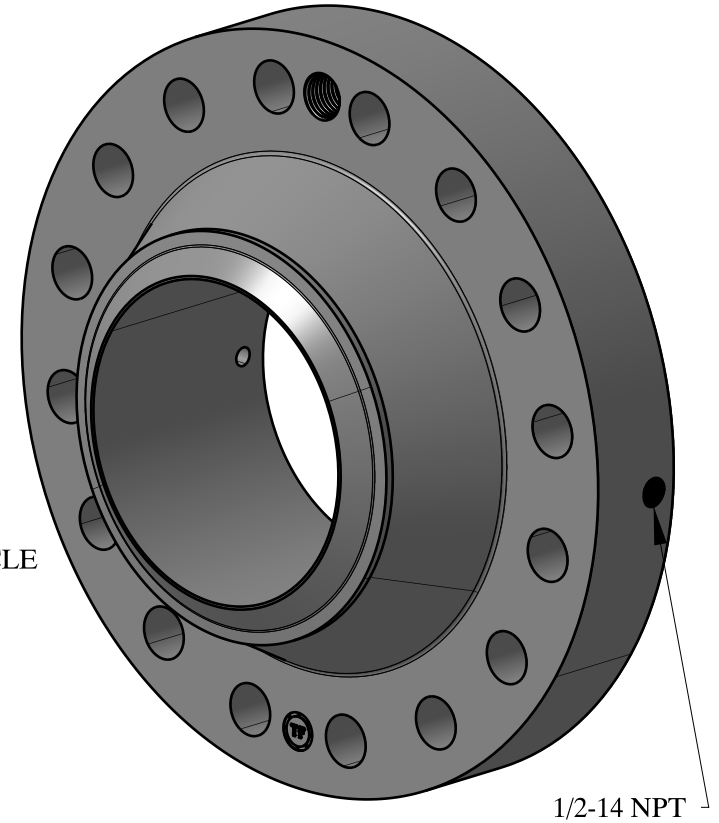
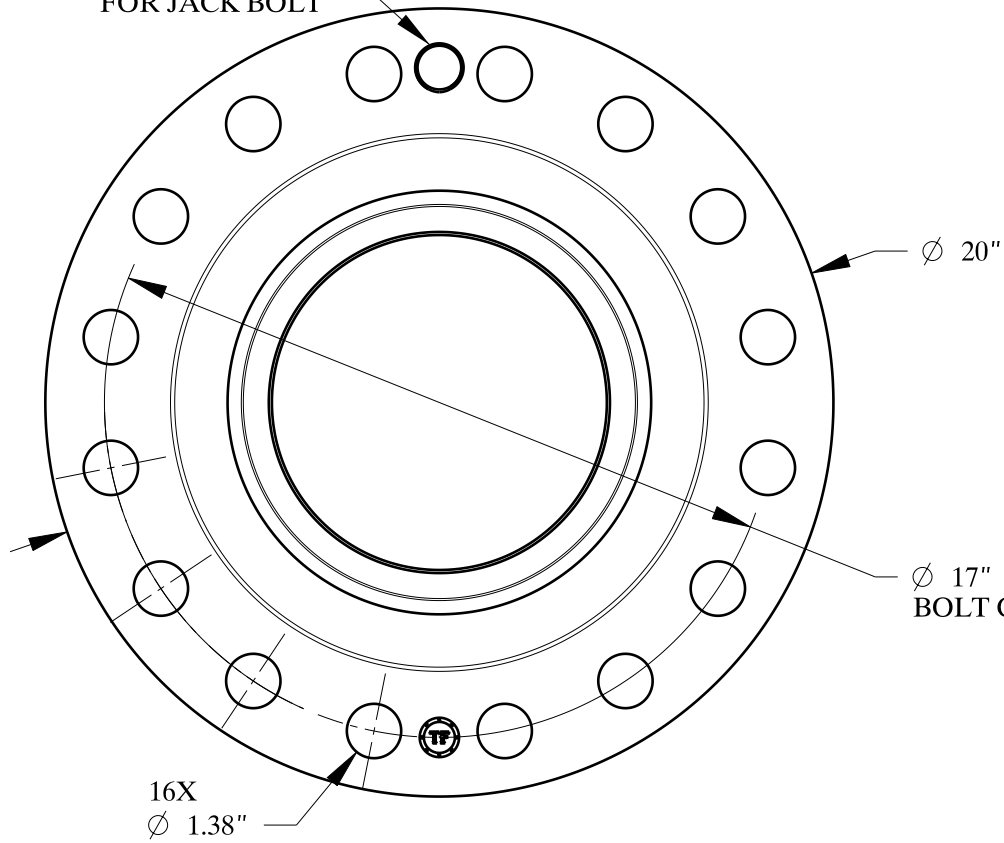


1 1/4-7 UNC
FOR JACK BOLT



SIZE:	10" NOM. X SCH: 160
TYPE:	600-RTJ-WELD-NECK-ORIF-FLANGE
 Texas Flange	