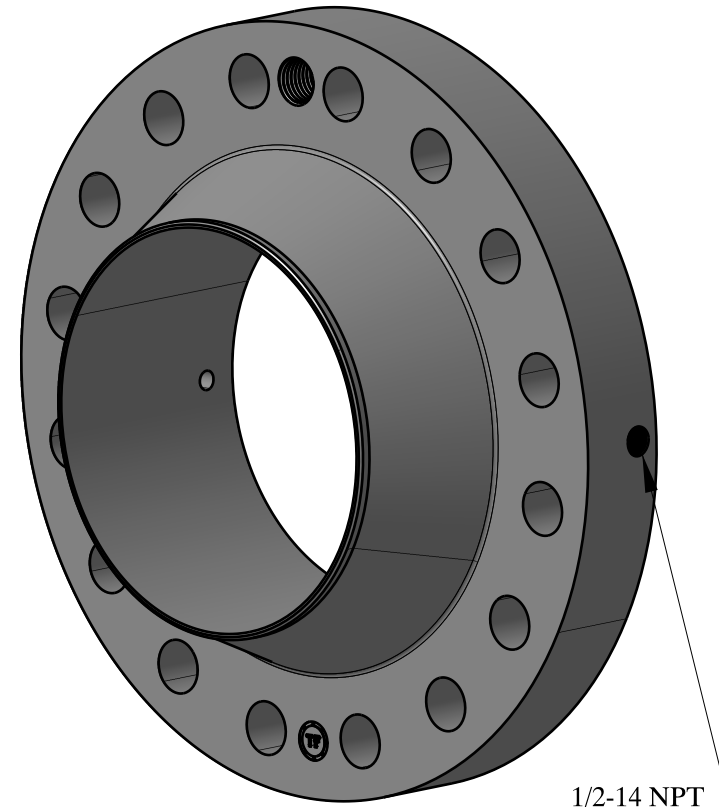
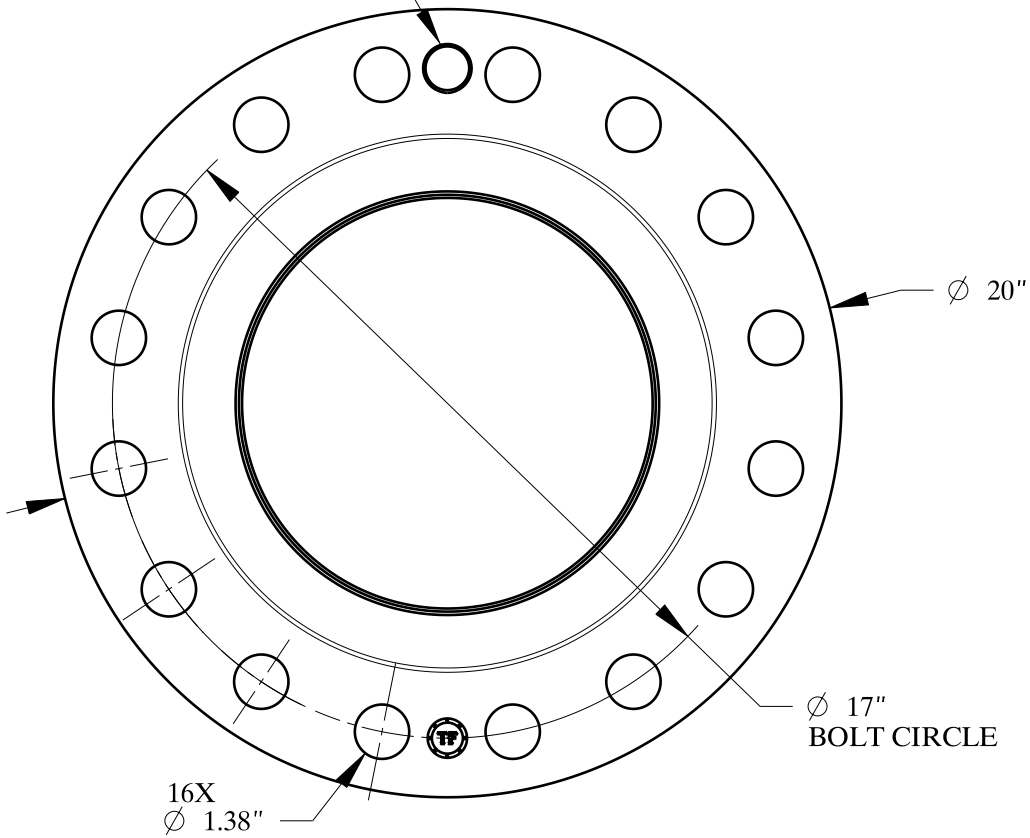
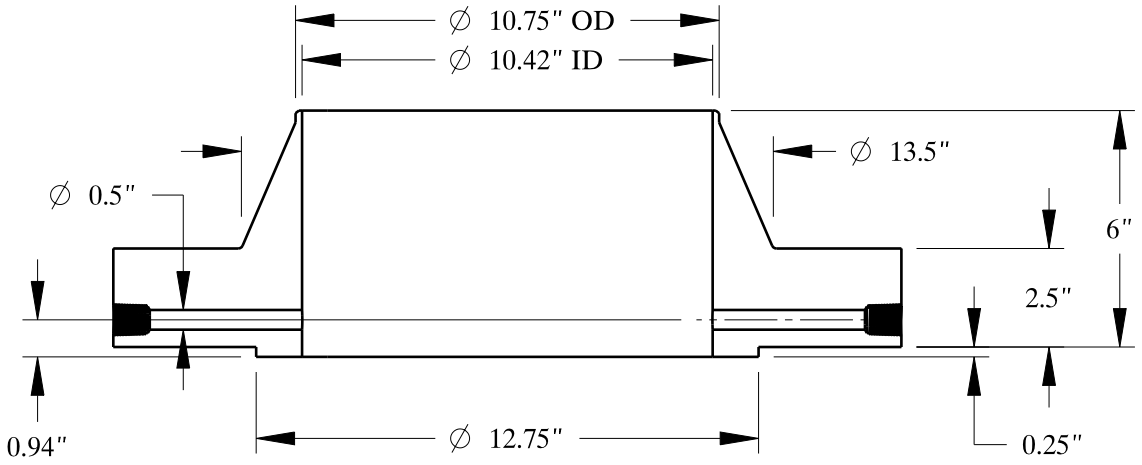


1 1/4-7 UNC
FOR JACK BOLT



1/2-14 NPT



SIZE:	10" NOM. X SHC: 10
TYPE:	600-RF-WELD-NECK-ORIF-FLANGE
 Texas Flange	
<small>PO Box 2889 Pearland, TX 77588 PH: 800-826-3801 FAX: 281-484-8730 www.texasflange.com</small>	