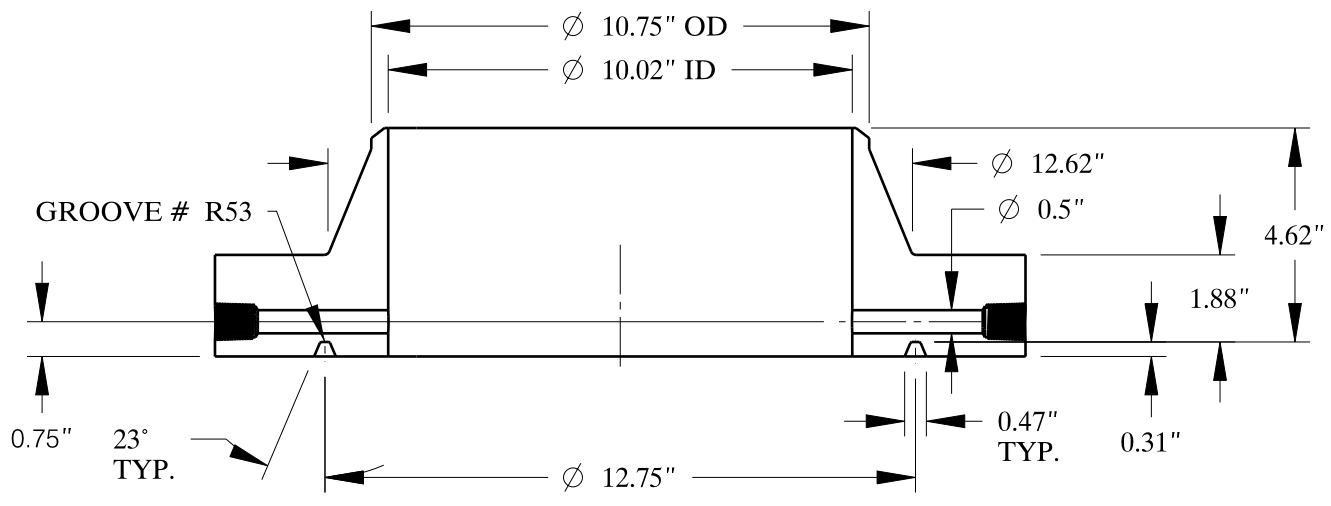
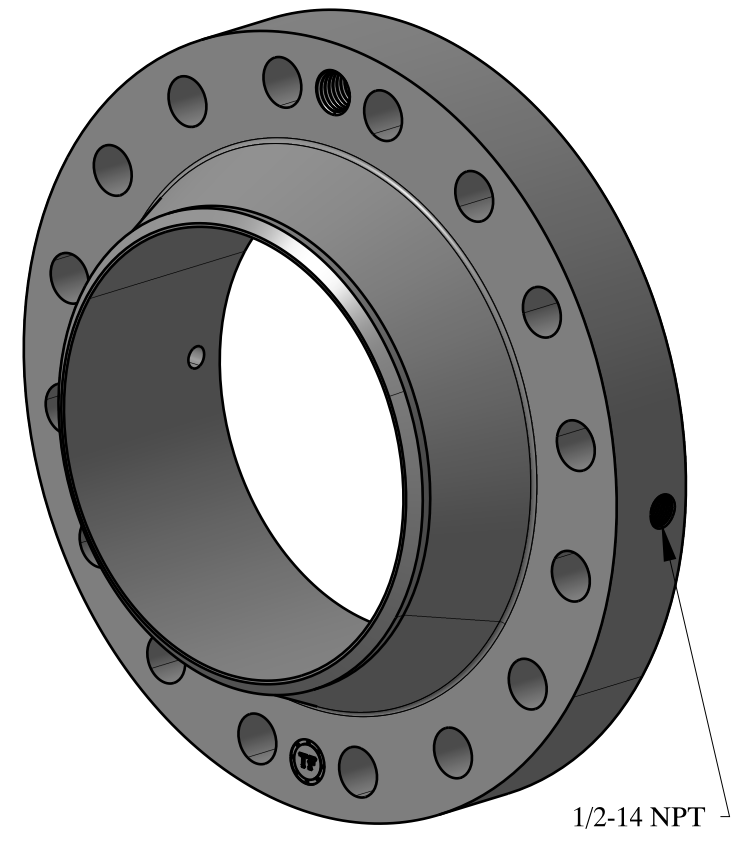
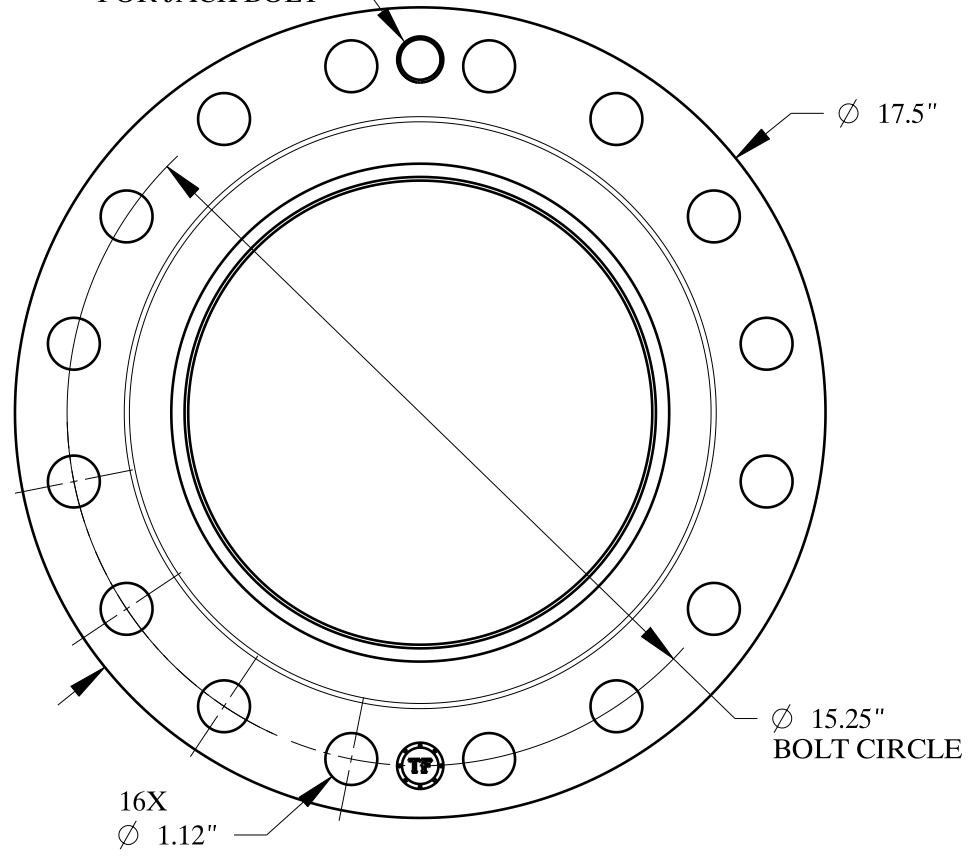


1-8 UNC
FOR JACK BOLT



SIZE:	10" NOM. X SCH: STD
TYPE:	300-RTJ-WELD-NECK-ORIF-FLANGE
 Texas Flange	
<small>PO Box 2889 Pearland, TX 77588 PH: 800-826-3801 FAX: 281-484-8730 www.texasflange.com</small>	