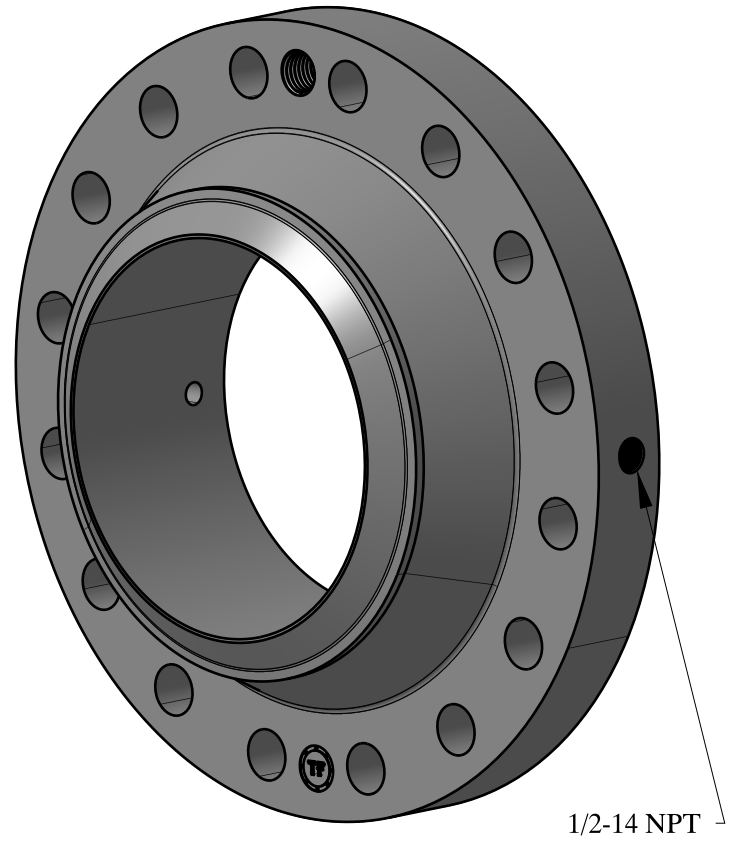
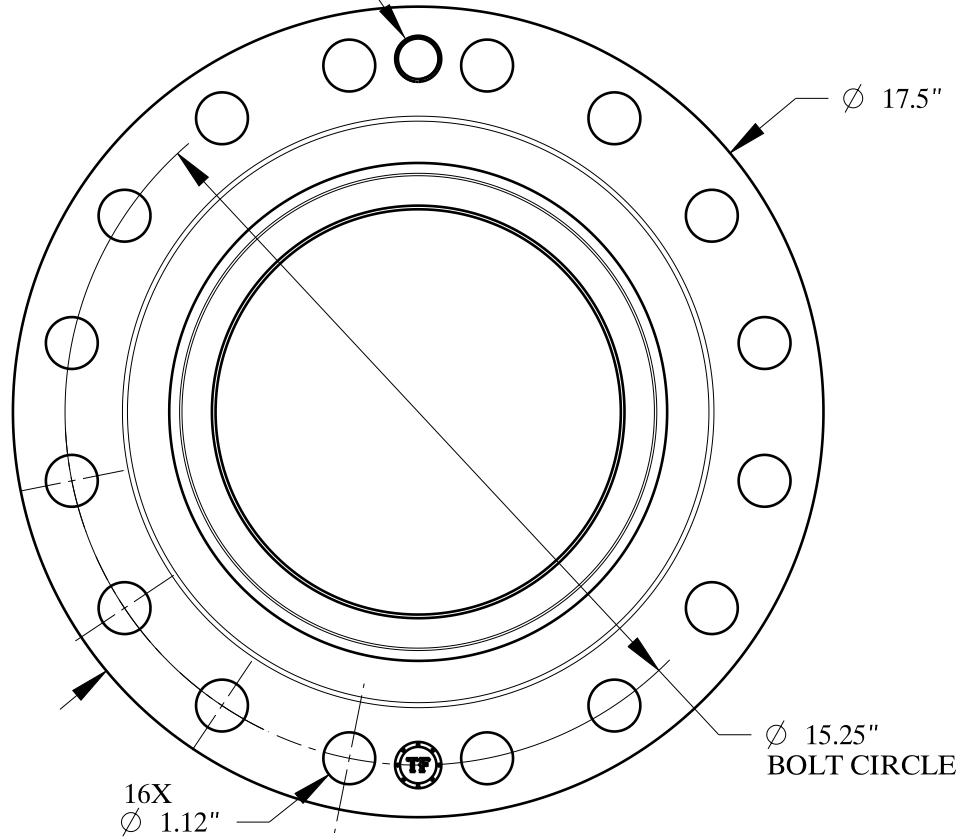
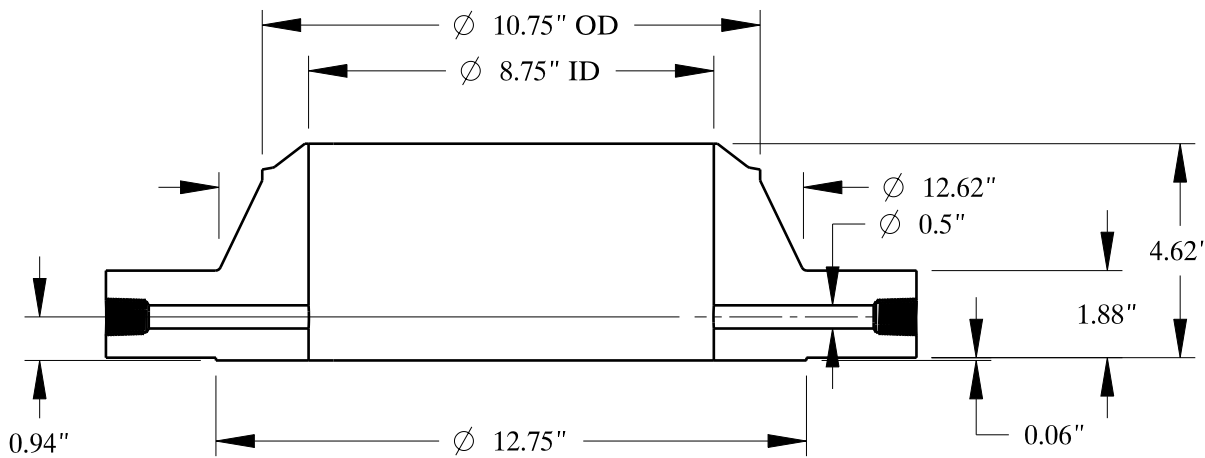


1-8 UNC
FOR JACK BOLT



1/2-14 NPT



SIZE:	10" NOM. X SHC: XXH
TYPE:	300-RF-WELD-NECK-ORIF-FLANGE
 Texas Flange	