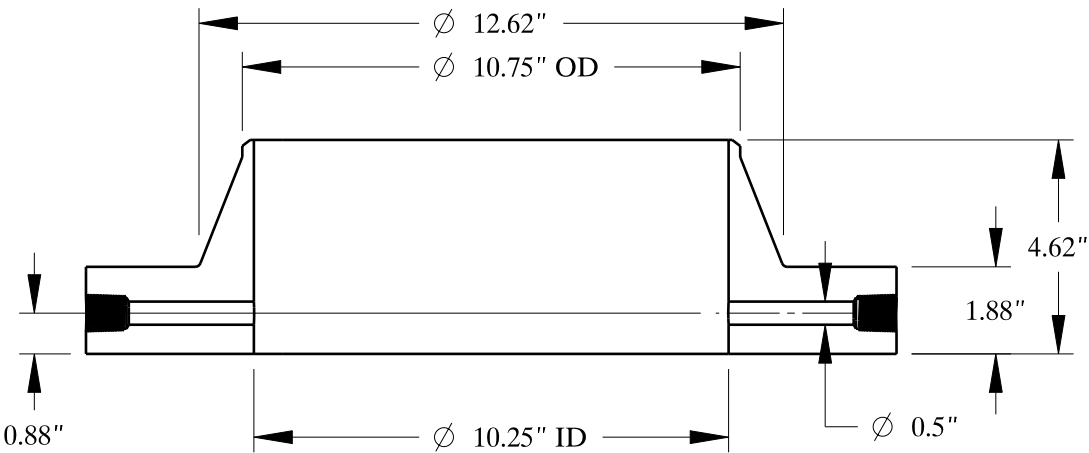
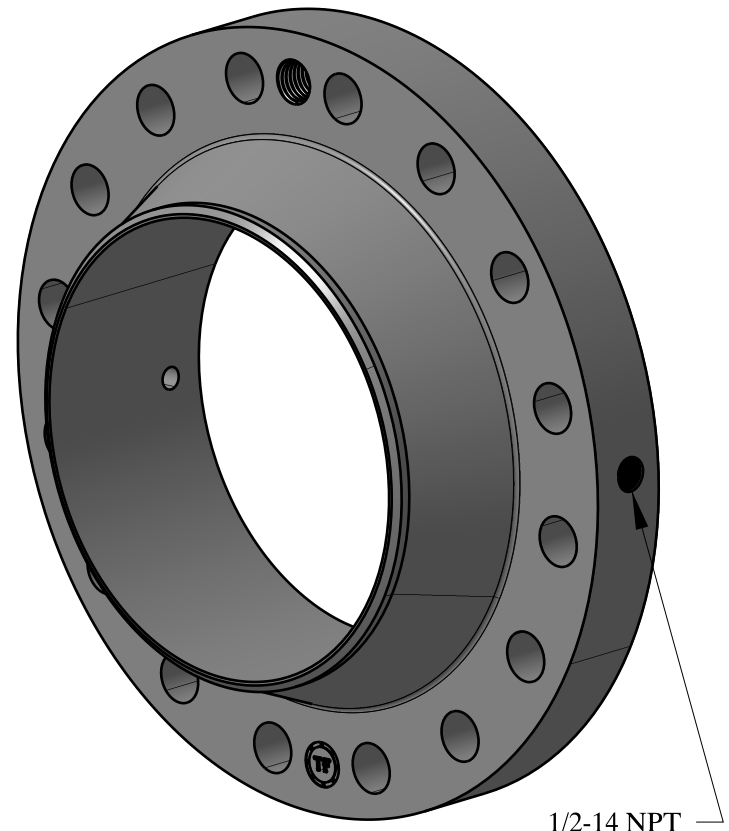
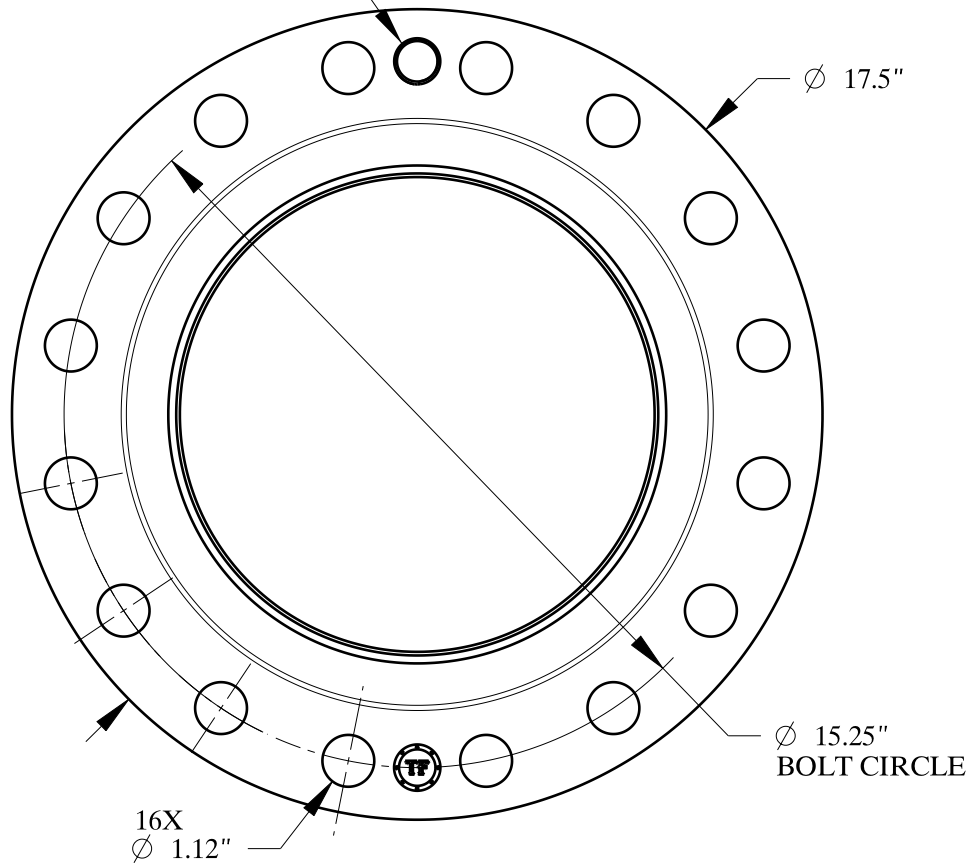


1-8 UNC
FOR JACK BOLT



| | |
|---|---|
| SIZE: | 10" NOM. X SHC: 20 |
| TYPE: | 300-FF-WELD-NECK-ORIF-FLANGE |
|  | Texas Flange |
| | PO Box 2889 Pearland, TX 77588 PH: 800-826-3801 FAX: 281-484-8730 www.texasflange.com |