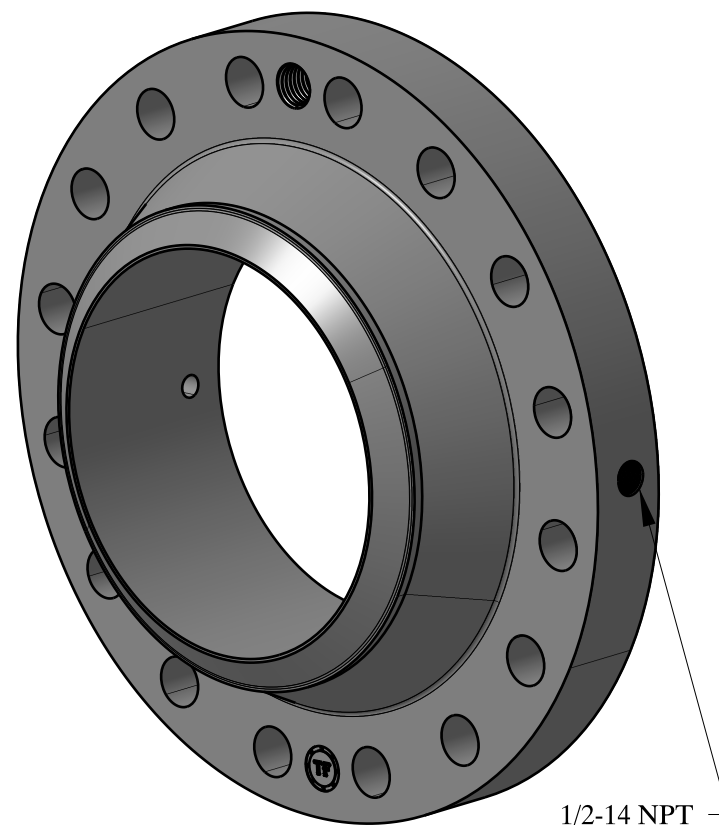
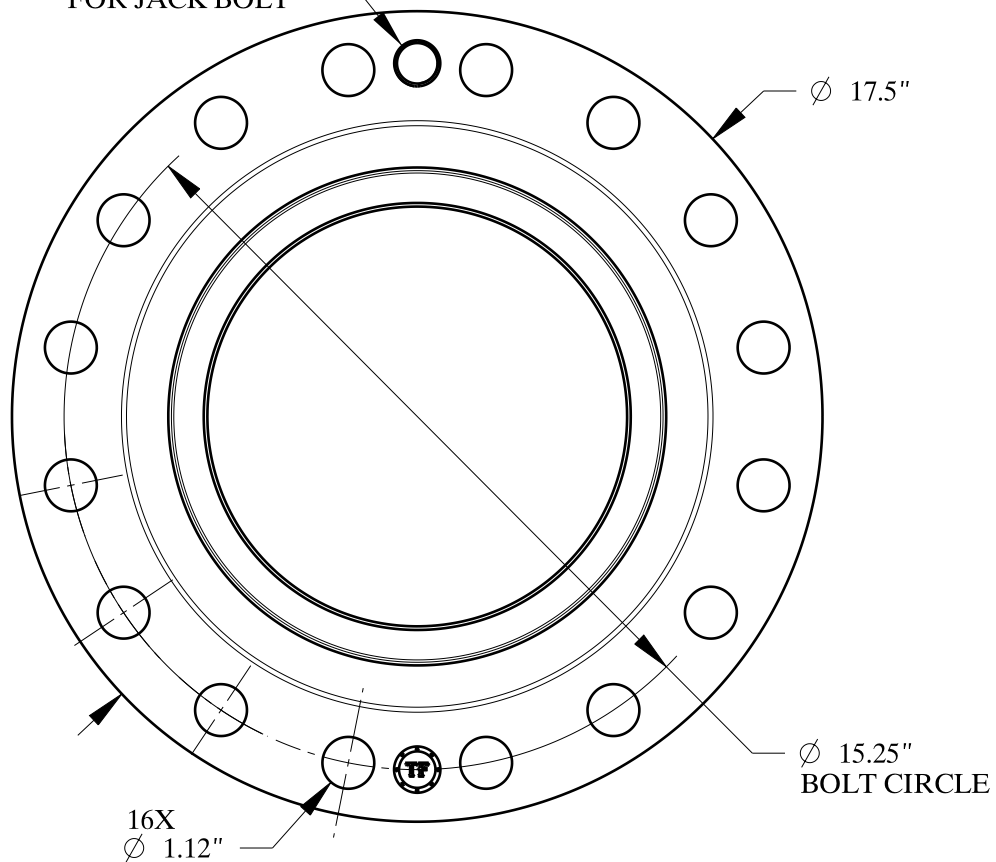
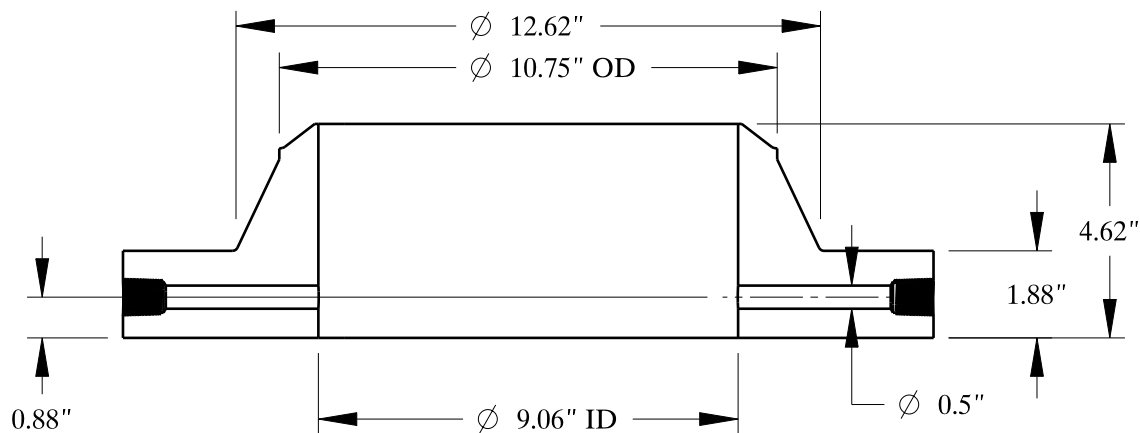


1-8 UNC  
FOR JACK BOLT



1/2-14 NPT



|   |                              |
|---|------------------------------|
| SIZE:   | 10" NOM. X SHC: 120          |
| TYPE:   | 300-FF-WELD-NECK-ORIF-FLANGE |
|              | <b>Texas<br/>Flange</b>      |
| PO Box 2889<br>Pearland, TX 77588<br>PH: 800-826-3801<br>FAX: 281-484-8730<br>www.texasflange.com |                              |