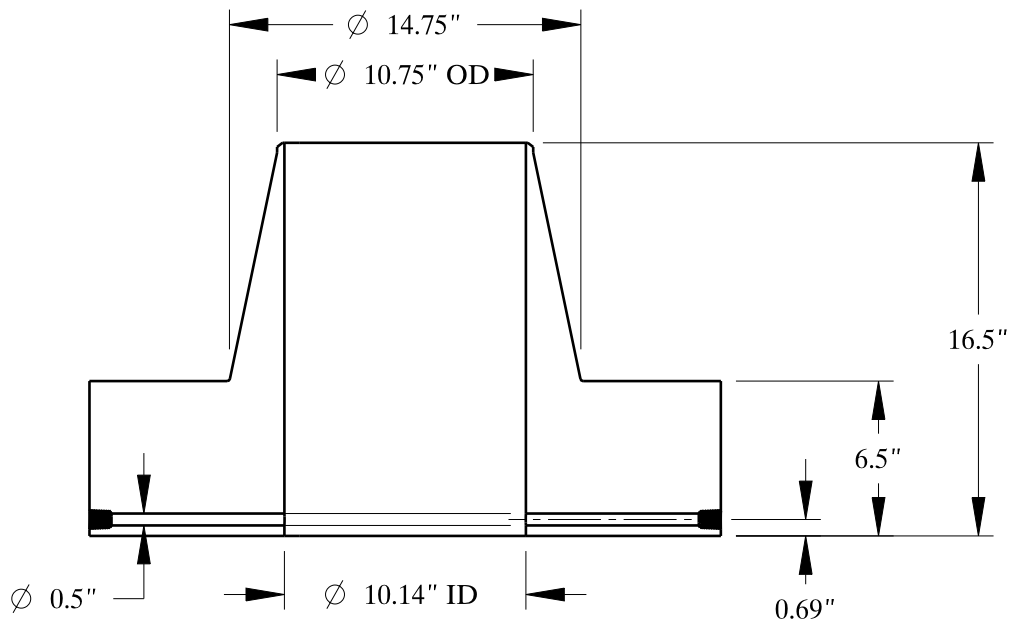
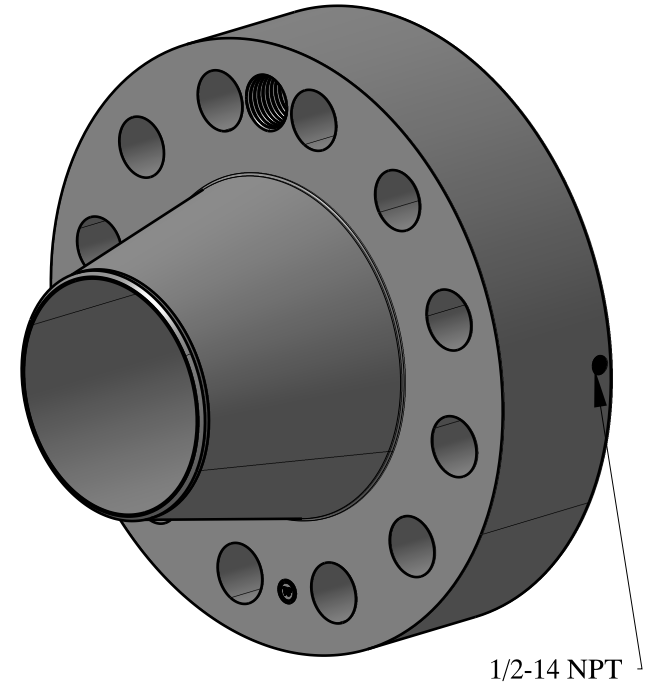
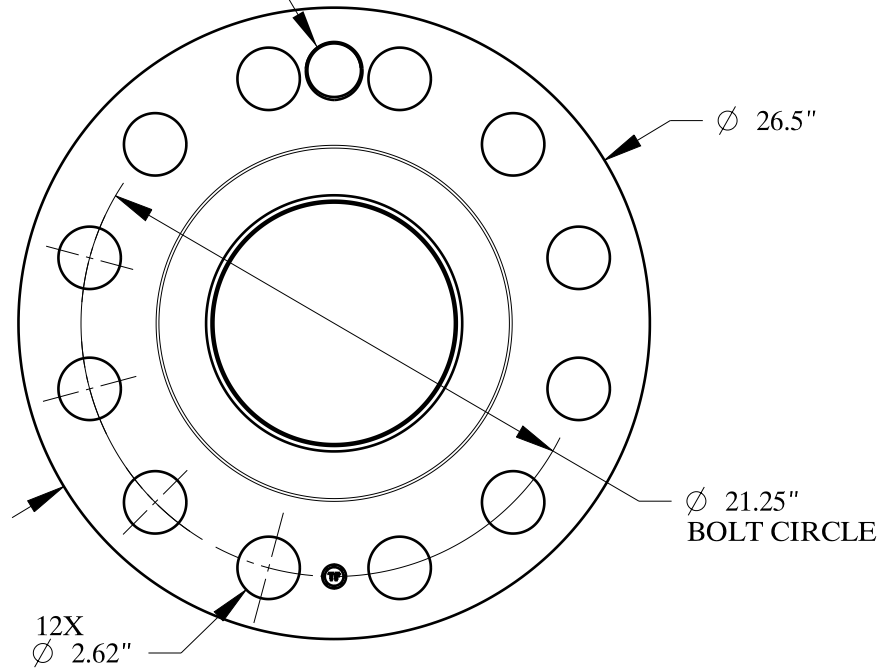


2 1/2-4 UNC  
FOR JACK BOLT



SIZE: 10" NOM. X SHC: 30  
TYPE: 2500-FF-WELD-NECK-ORIF-FLANGE



**Texas  
Flange**

PO Box 2889  
Pearland, TX 77588  
PH: 800-826-3801  
FAX: 281-484-8730  
www.texasflange.com