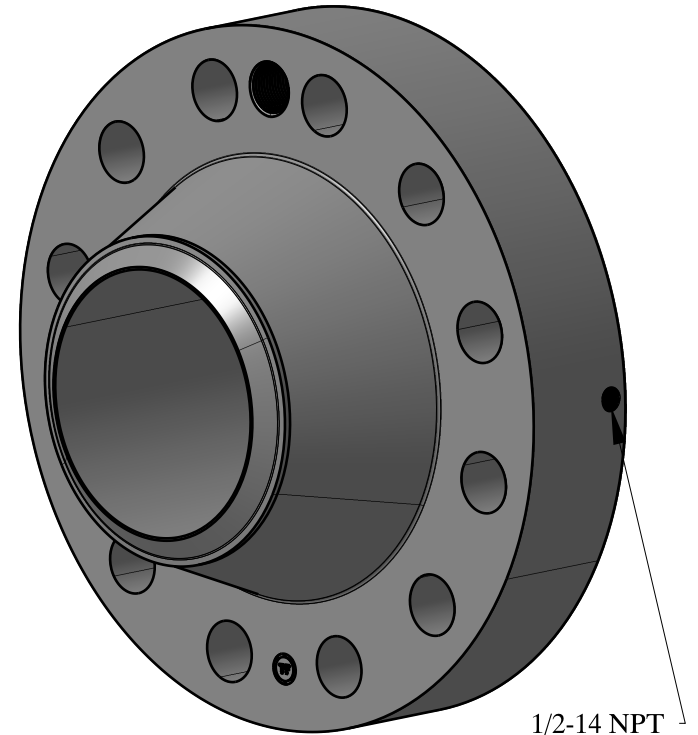
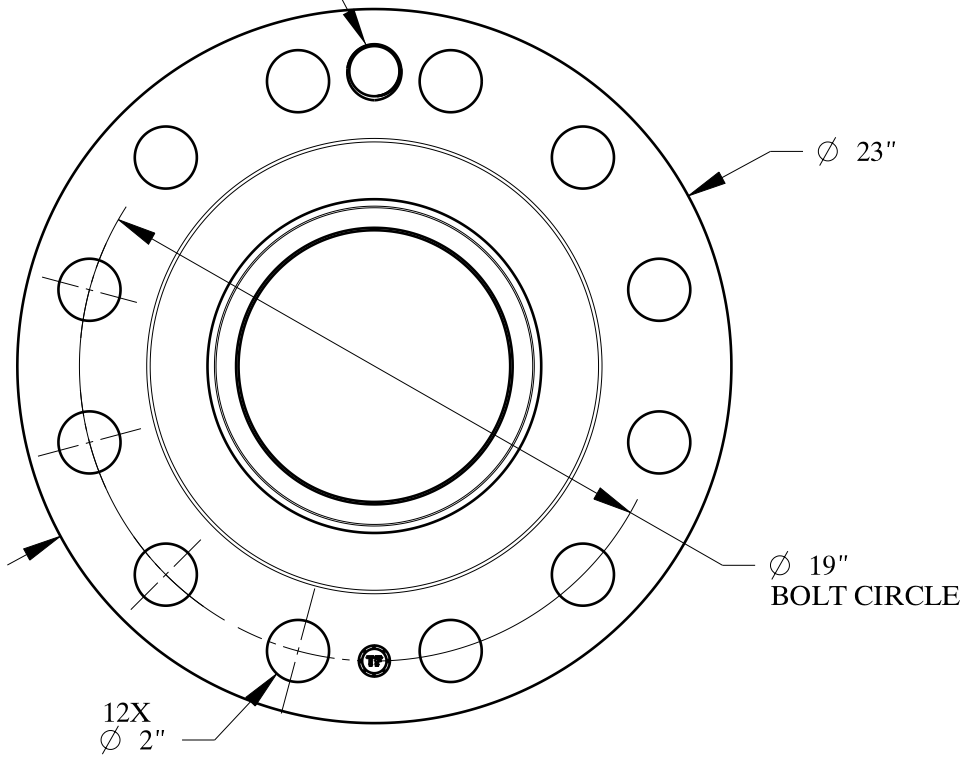
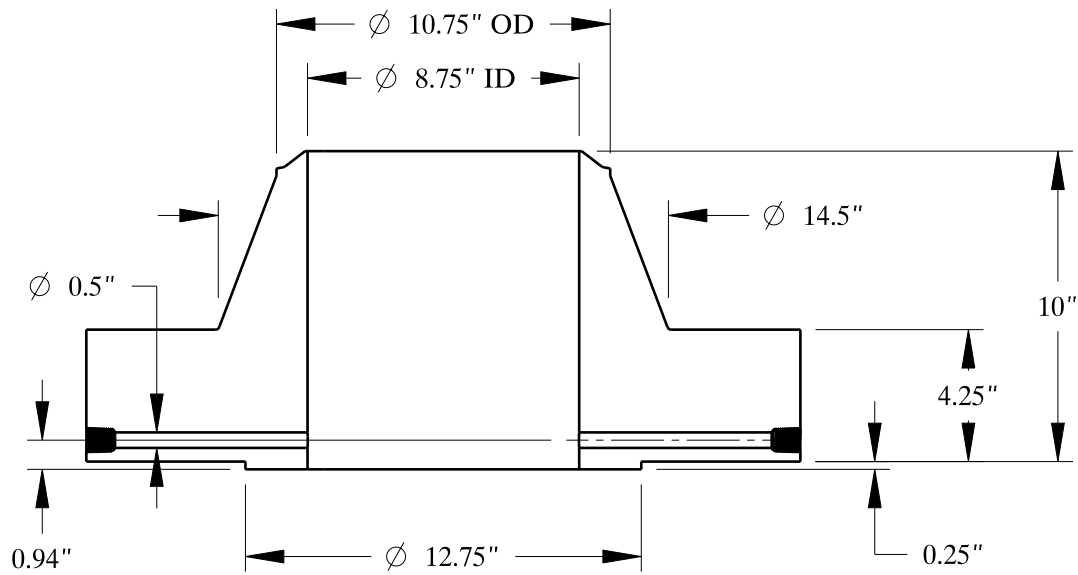


1 7/8-8 UN
FOR JACK BOLT



1/2-14 NPT



SIZE:	10" NOM. X SHC: XXH
TYPE:	1500-RF-WELD-NECK-ORIF-FLANGE
	Texas Flange
PO Box 2889 Pearland, TX 77588 PH: 800-826-3801 FAX: 281-484-8730 www.texasflange.com	