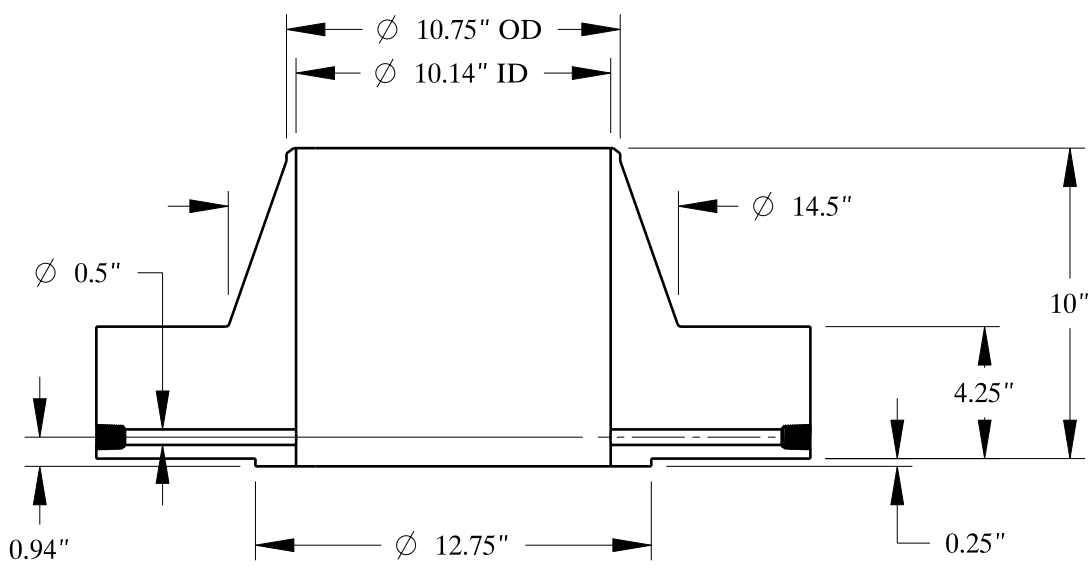
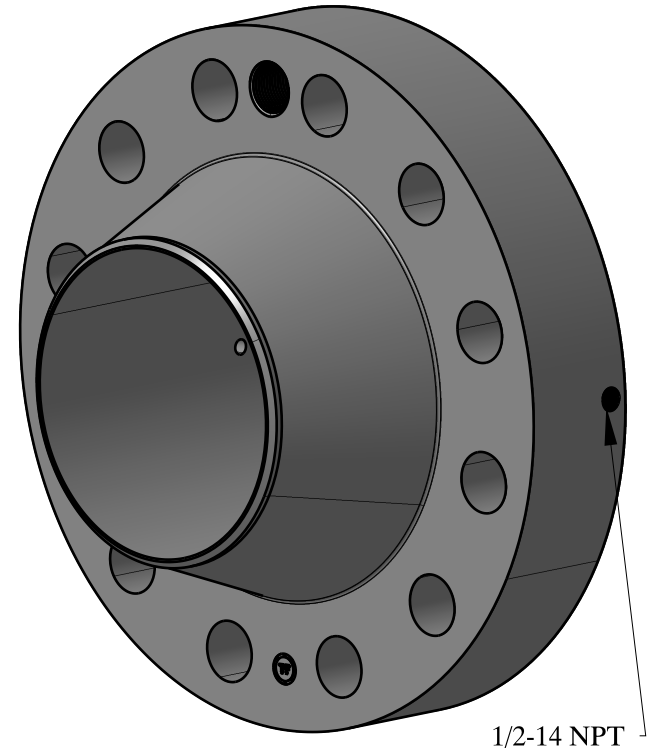
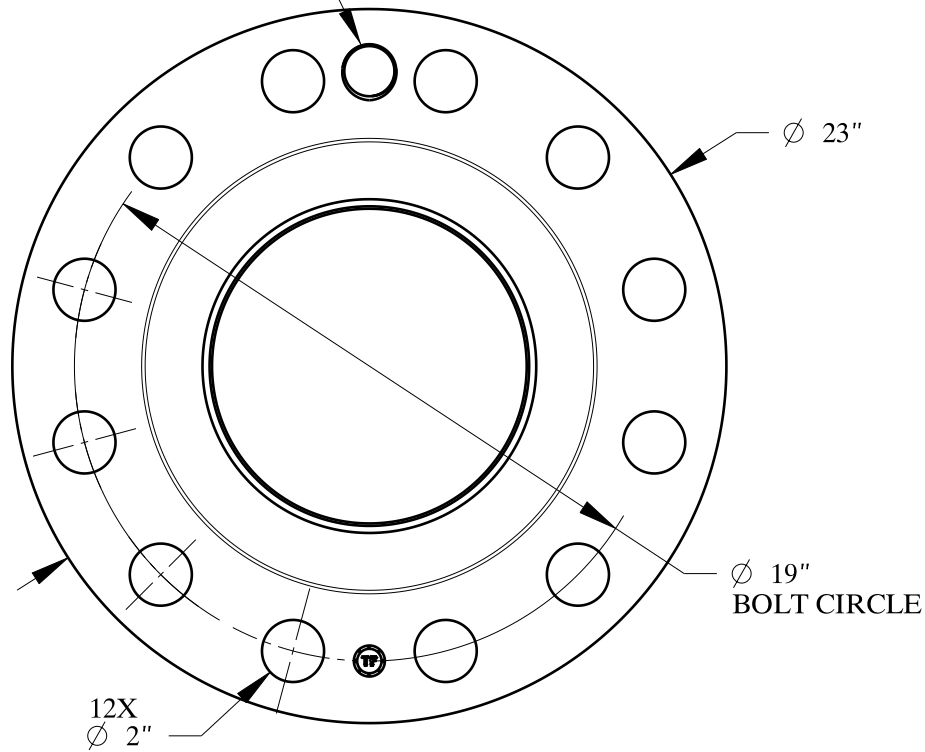


1 7/8-8 UN  
FOR JACK BOLT



SIZE:	10" NOM. X SHC: 30
TYPE:	1500-RF-WELD-NECK-ORIF-FLANGE
	<b>Texas Flange</b>
PO Box 2889 Pearland, TX 77588 PH: 800-826-3801 FAX: 281-484-8730 www.texasflange.com	