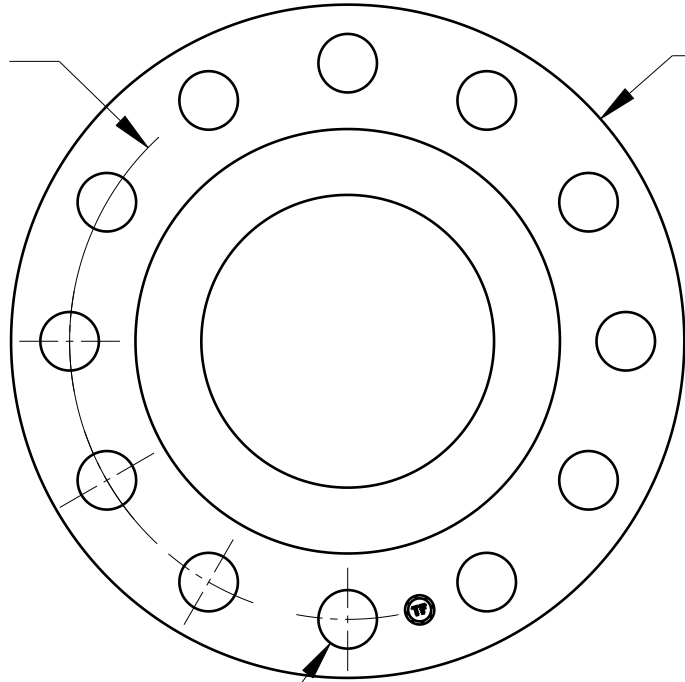


Ø 19"  
BOLT CIRCLE

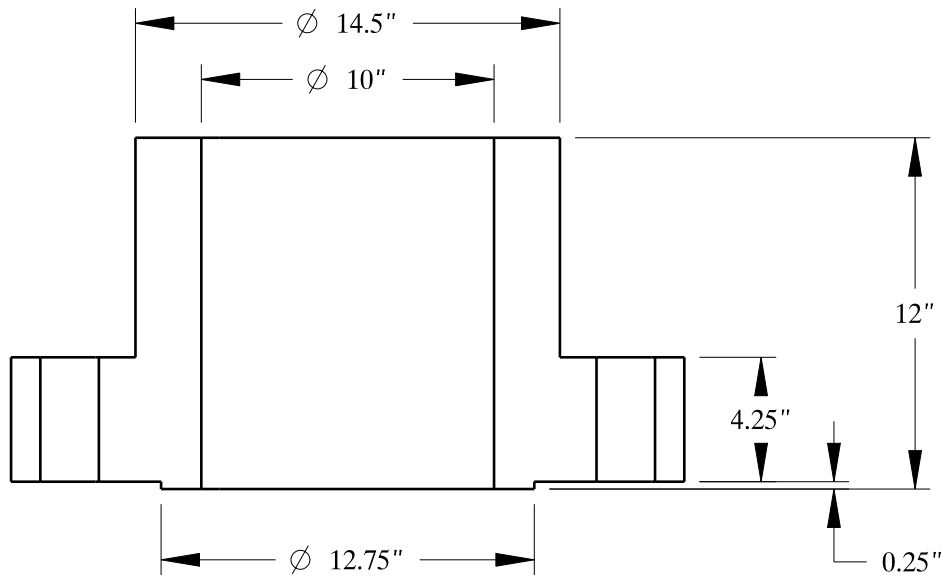
Ø 23"



12X  
Ø 2"

Ø 14.5"

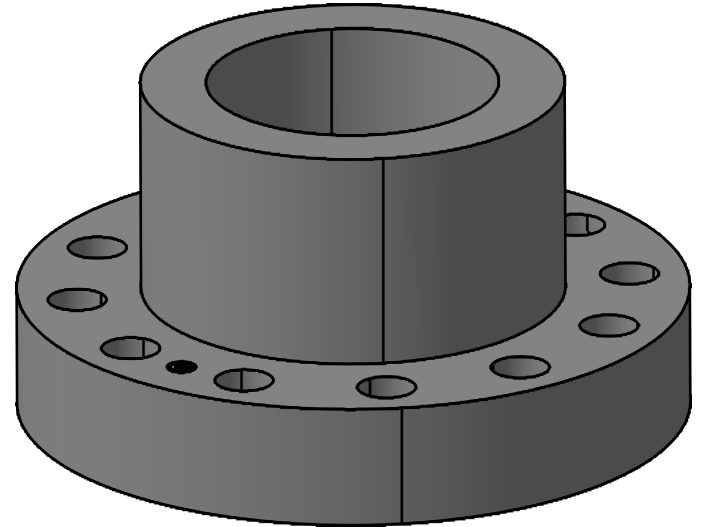
Ø 10"



12"

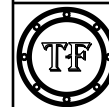
4.25"

0.25"



SIZE: NOM. PIPE SIZE 10 INCH

TYPE: 1500-LWN-RF-STD-CONN-FLANGE



**Texas**  
**Flange**

PO Box 2889  
Pearland, TX 77588  
PH: 800-826-3801  
FAX: 281-484-8730  
www.texasflange.com