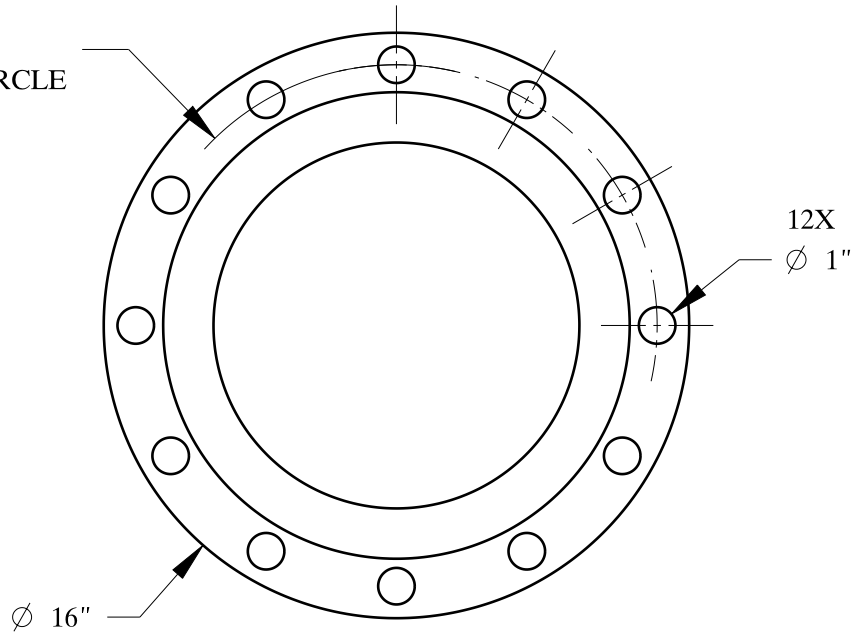
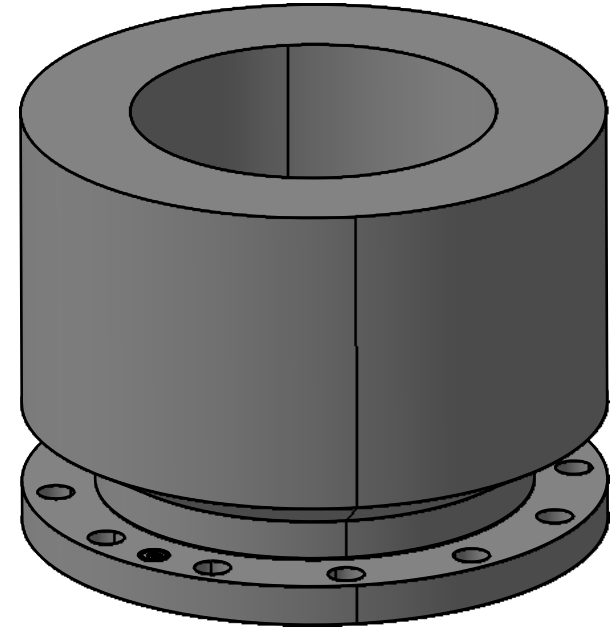
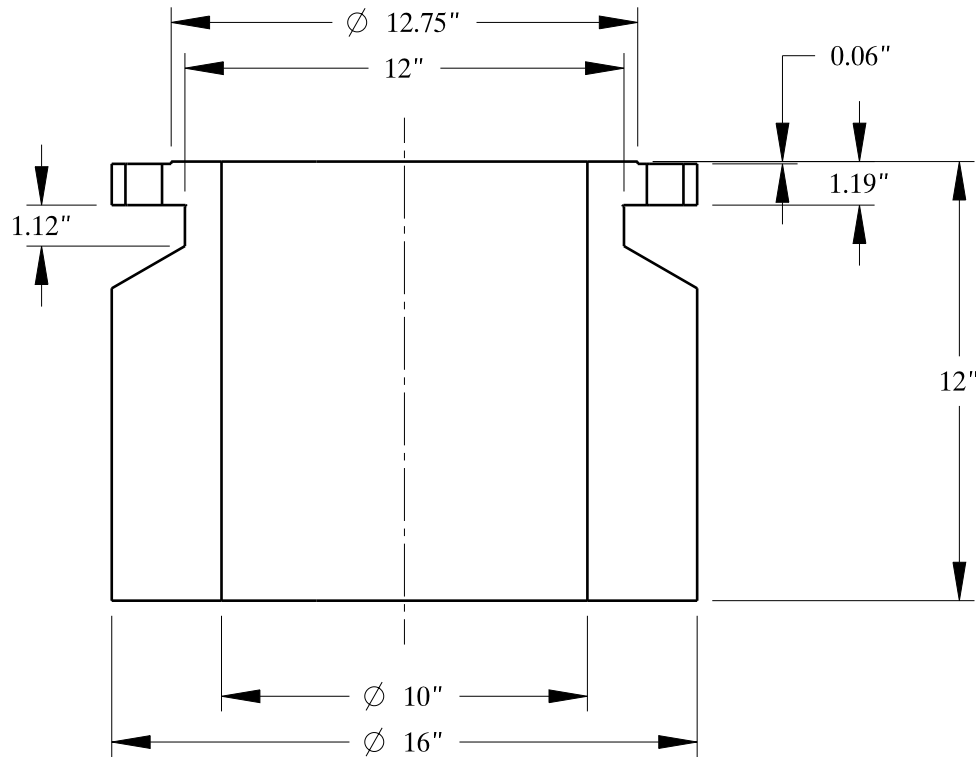


Ø 14.25"
BOLT CIRCLE



12X
Ø 1"

Ø 16"



SIZE: NOM. PIPE SIZE 10 INCH

TYPE: 150-EB-RF-STD-CONN-FLANGE



Texas
Flange

PO Box 2889
Pearland, TX 77588
PH: 800-826-3801
FAX: 281-484-8730
www.texasflange.com