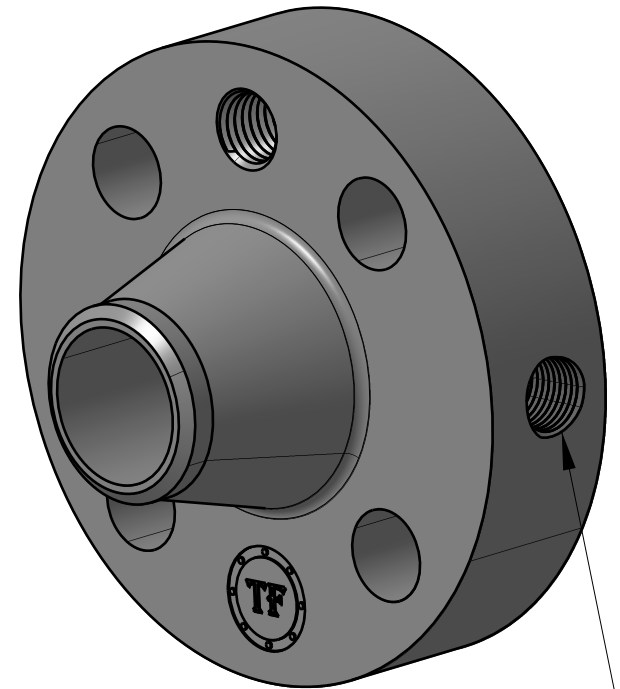
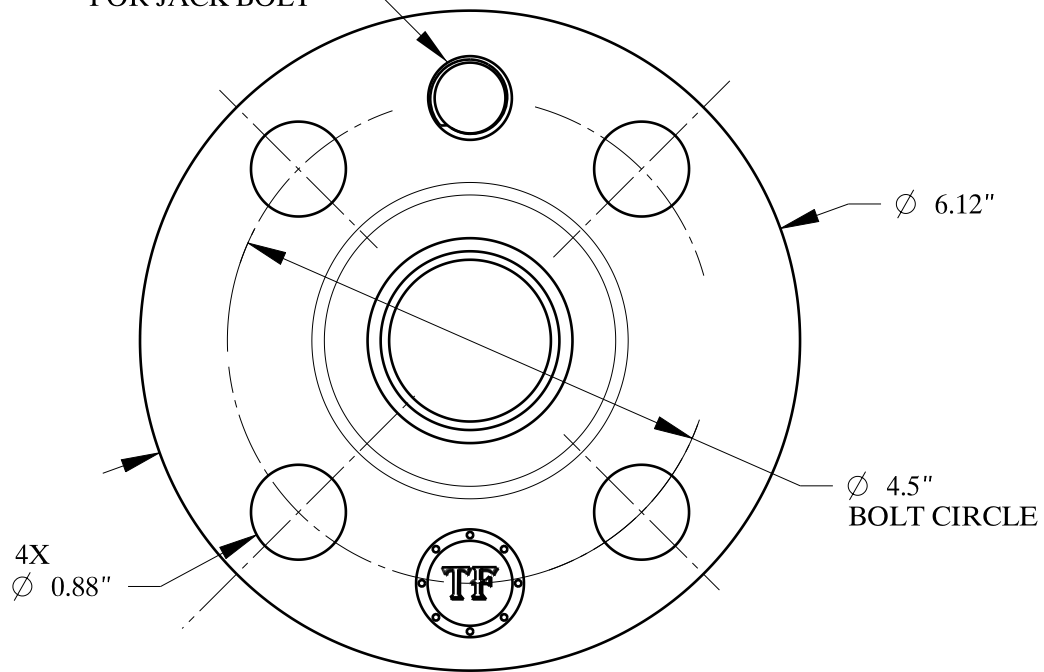
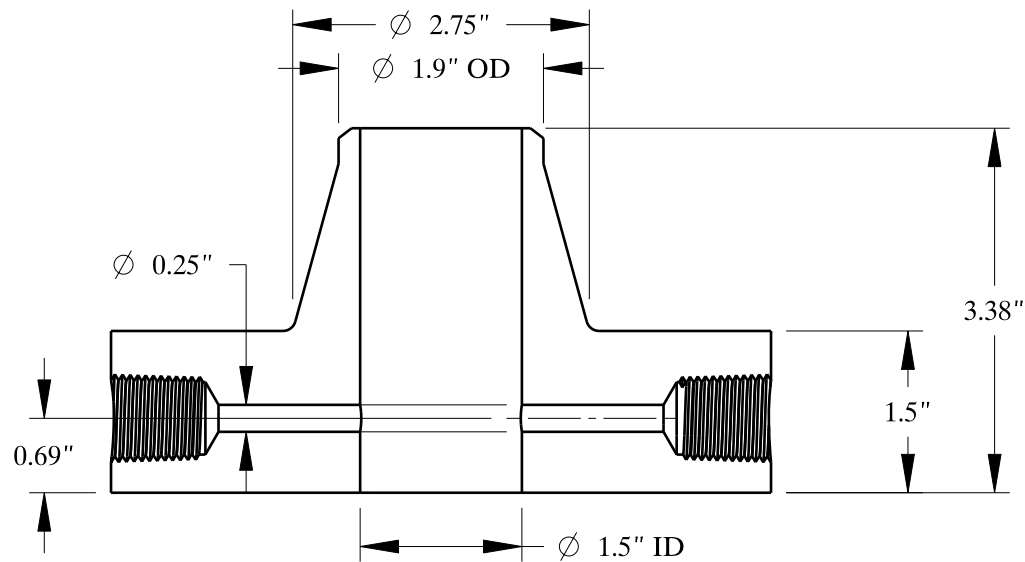


3/4-10 UNC
FOR JACK BOLT



1/2-14 NPT



SIZE:	1.5" NOM. X SHC: 80
TYPE:	600-FF-WELD-NECK-ORIF-FLANGE
 Texas Flange	
PO Box 2889 Pearland, TX 77588 PH: 800-826-3801 FAX: 281-484-8730 www.texasflange.com	