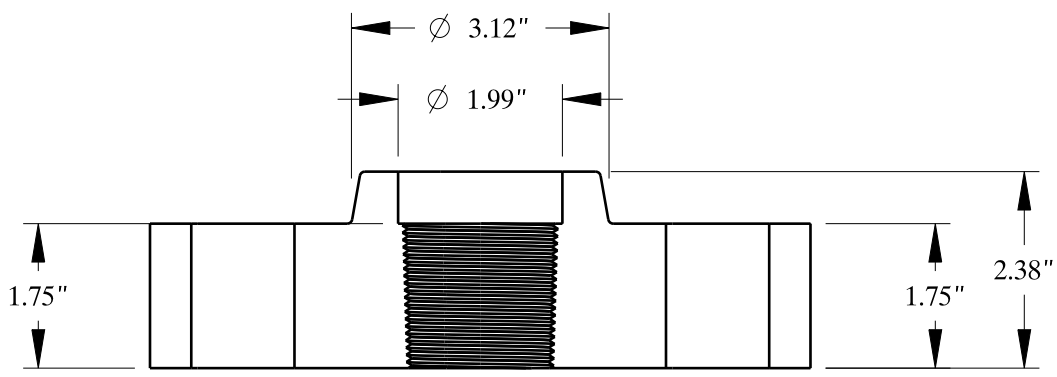
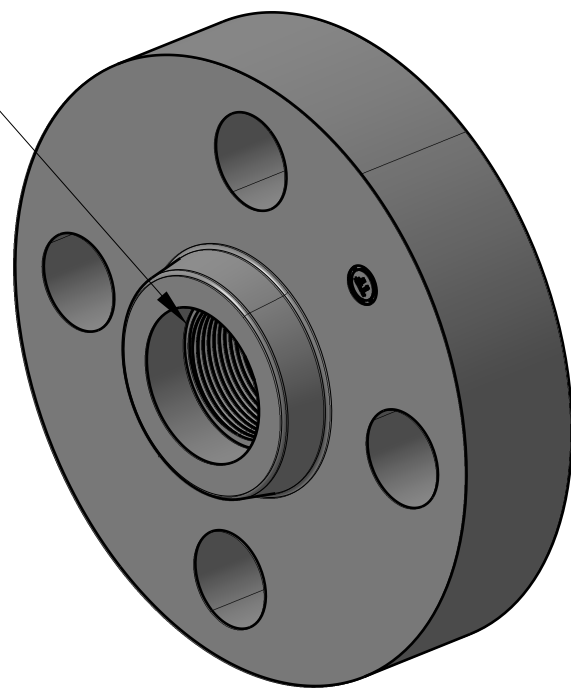


1 1/2-11 1/2 NPT

$\phi 5.75''$
BOLT CIRCLE



| | |
|--|-------------------------|
| SIZE: | 1 1/2" NOM. PIPE |
| TYPE: | 2500-THREADED-FF-FLANGE |
| | |
| PO Box 2889 Pearland, TX 77588 PH: 800-826-3801 FAX: 281-484-8730 www.texasflange.com | |