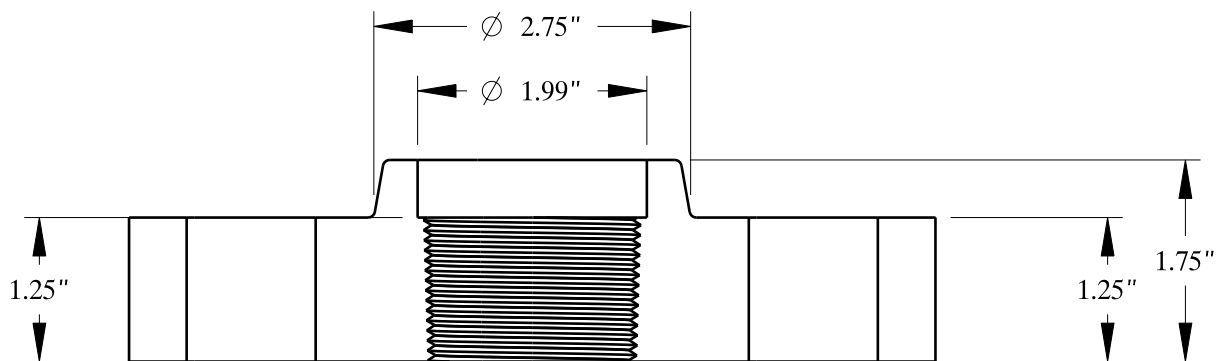
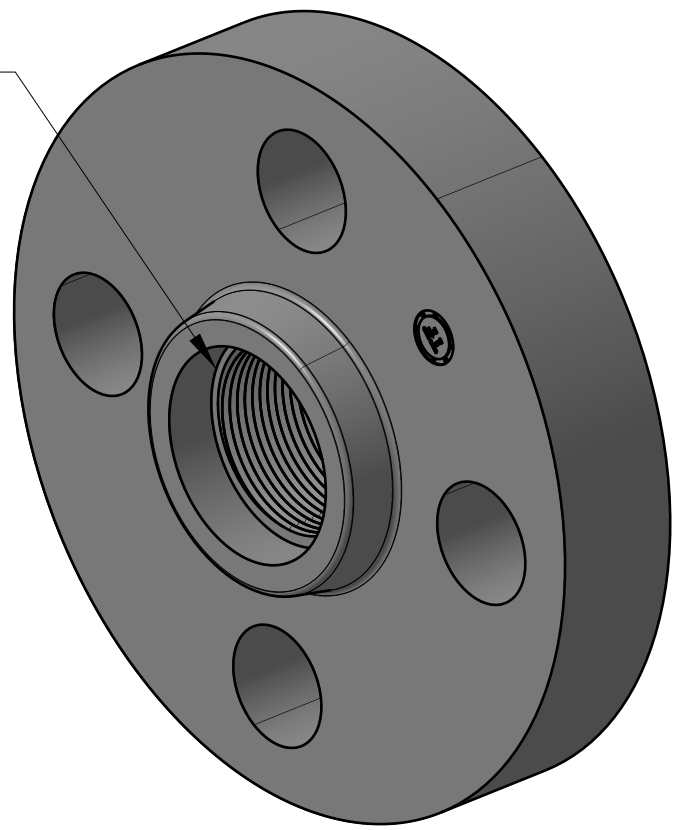


1 1/2-11 1/2 NPT

$\phi 4.88''$
BOLT CIRCLE



SIZE:	1 1/2" NOM. PIPE
TYPE:	1500-THREADED-FF-FLANGE
PO Box 2889 Pearland, TX 77588 PH: 800-826-3801 FAX: 281-484-8730 www.texasflange.com	