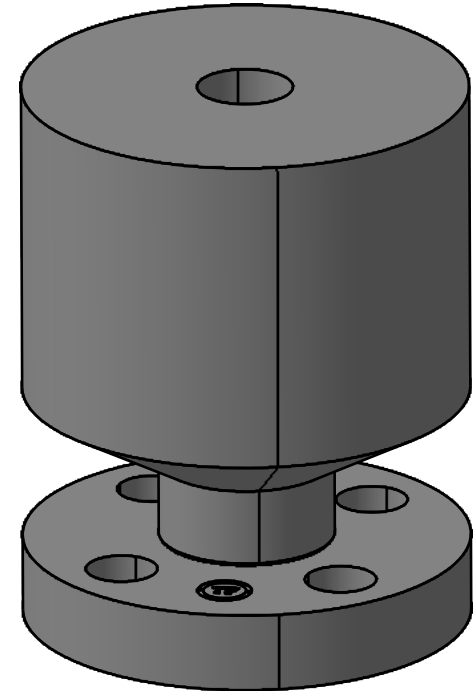
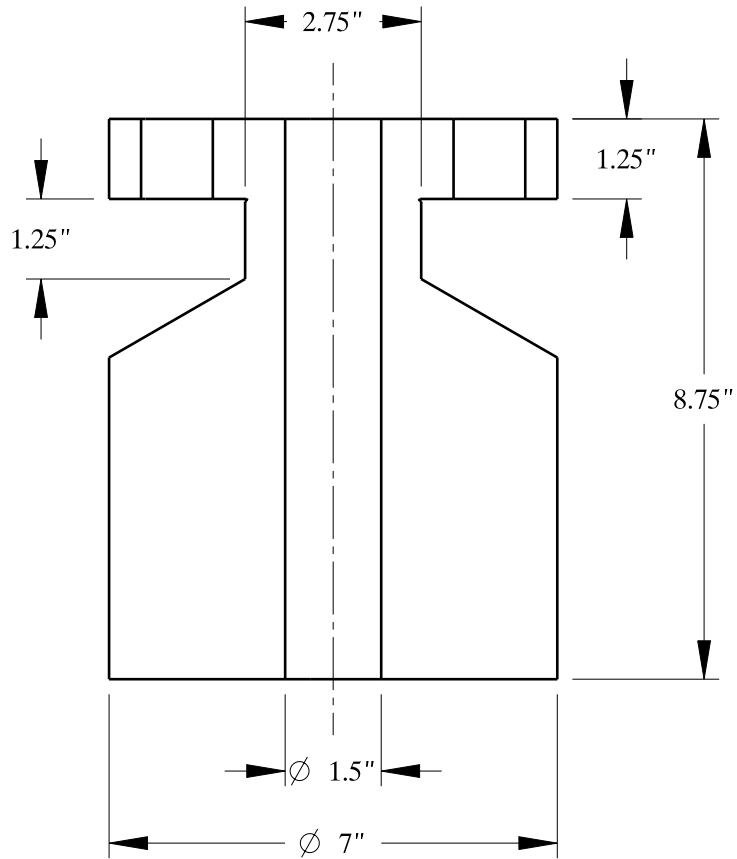
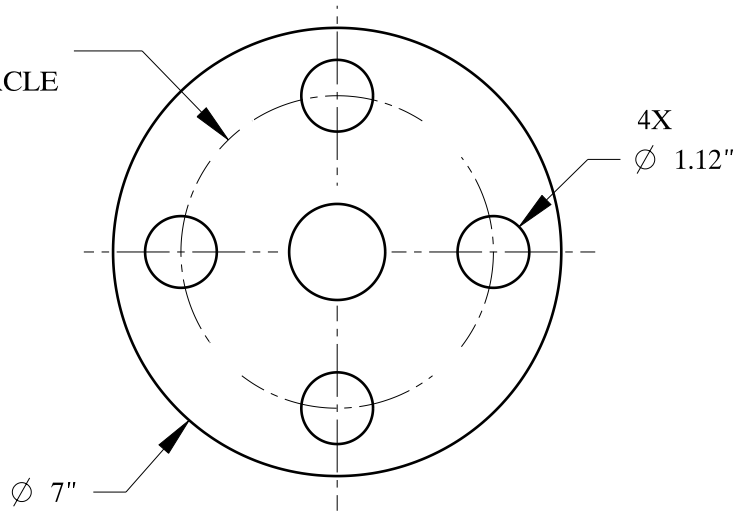



Ø 4.88"  
BOLT CIRCLE



SIZE:	NOM. PIPE SIZE 1.5 INCH
TYPE:	1500-EB-FF-STD-CONN-FLANGE
	<b>Texas Flange</b>
	PO Box 2889 Pearland, TX 77588 PH: 800-826-3801 FAX: 281-484-8730 <a href="http://www.texasflange.com">www.texasflange.com</a>