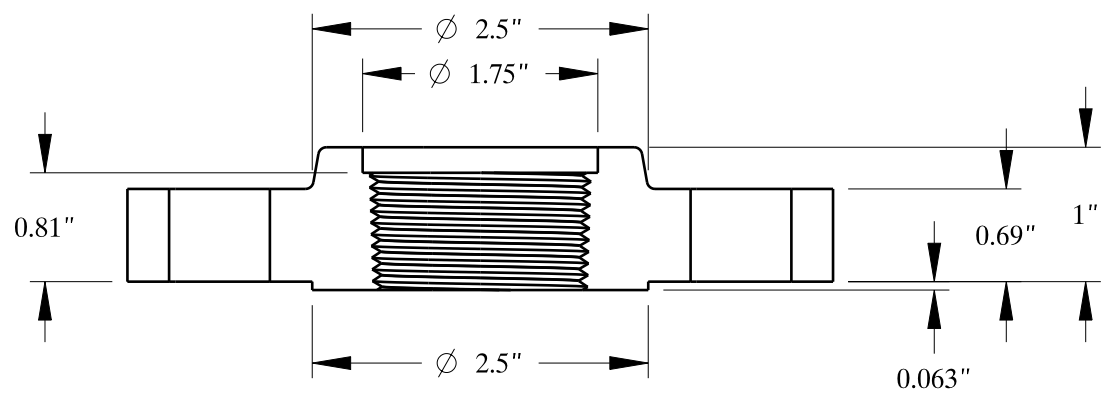
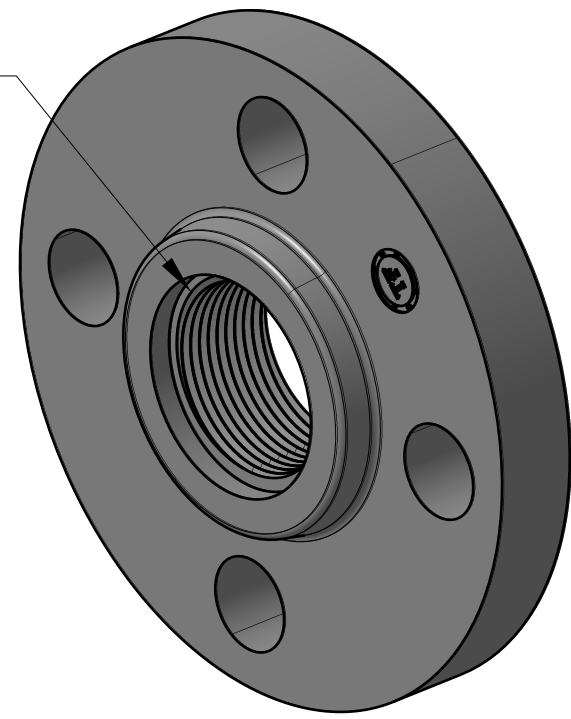


1 1/4-11 1/2 NPT



SIZE:	1 1/4" NOM. PIPE
TYPE:	300-THREADED-RF-FLANGE
PO Box 2889 Pearland, TX 77588 PH: 800-826-3801 FAX: 281-484-8730 www.texasflange.com	