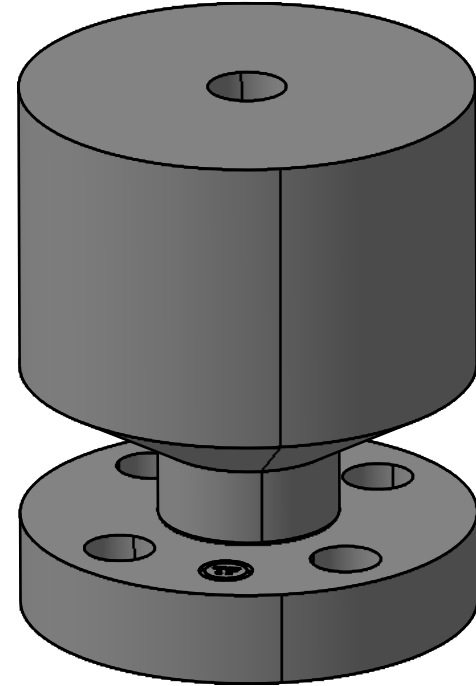
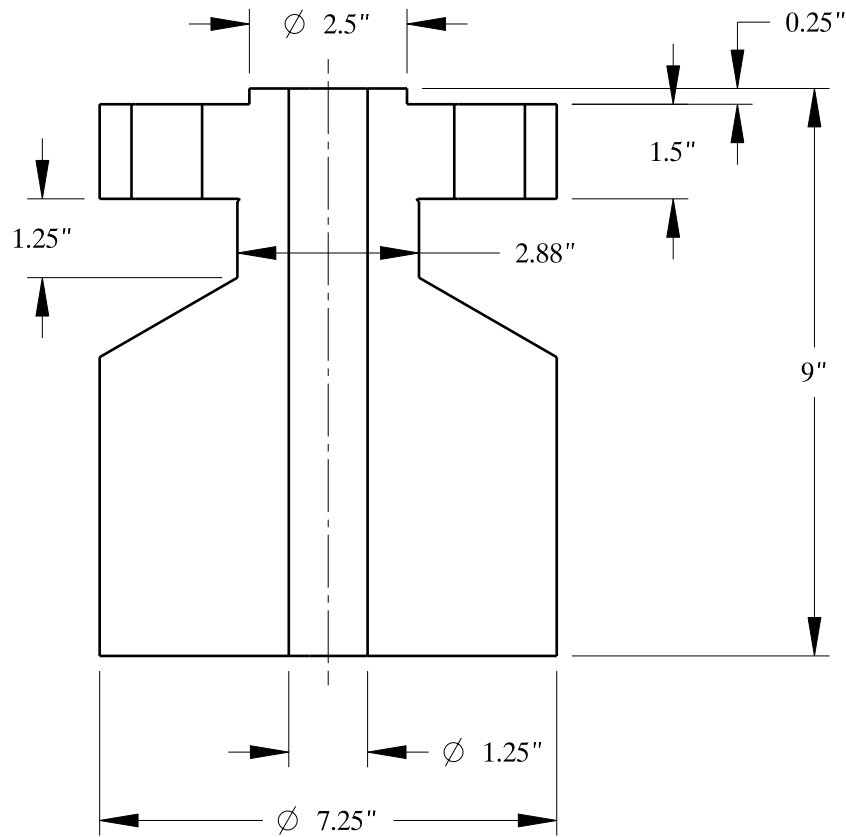
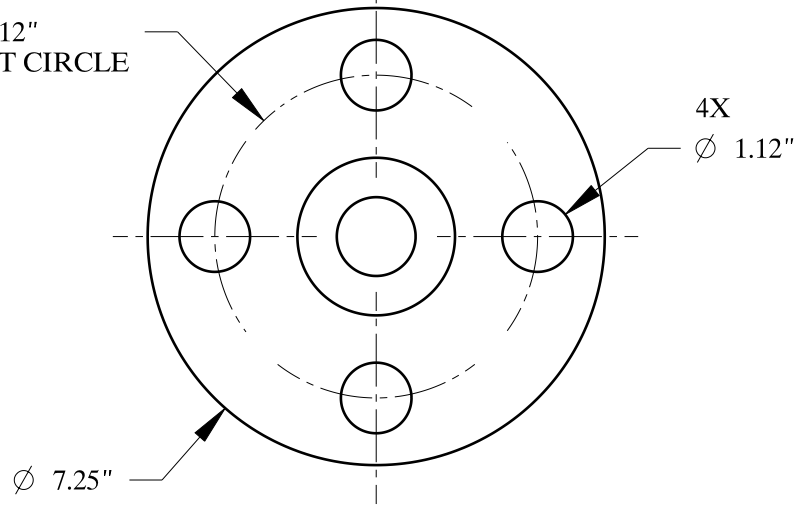



Ø 5.12"
BOLT CIRCLE



SIZE:	NOM. PIPE SIZE 1.25 INCH
TYPE:	2500-EB-RF-STD-CONN-FLANGE
	Texas Flange
	PO Box 2889 Pearland, TX 77588 PH: 800-826-3801 FAX: 281-484-8730 www.texasflange.com