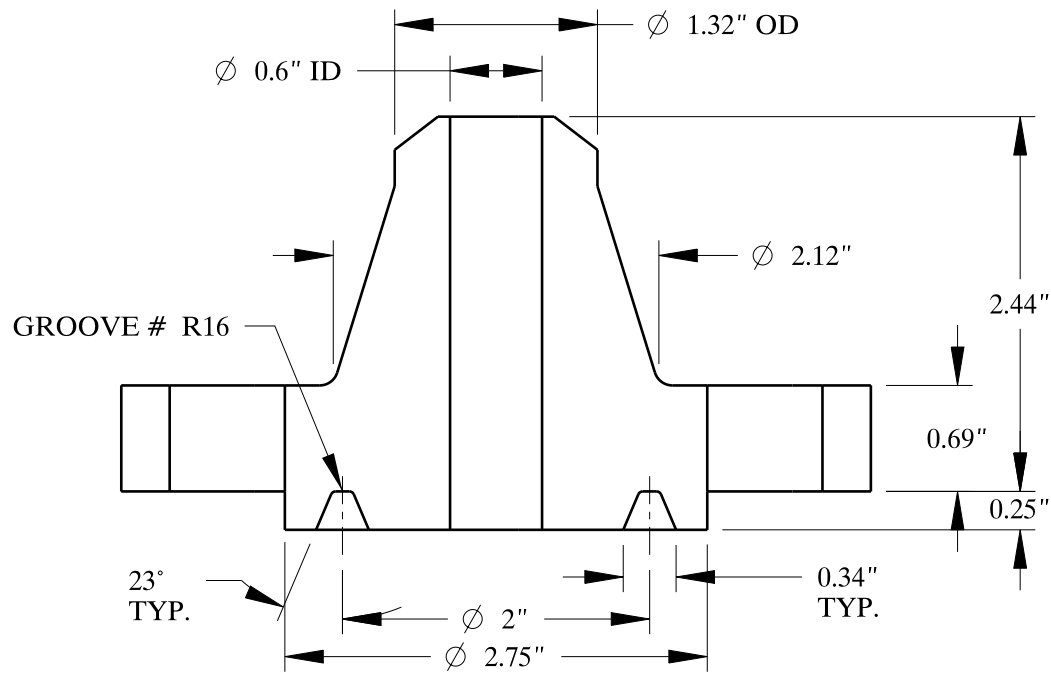
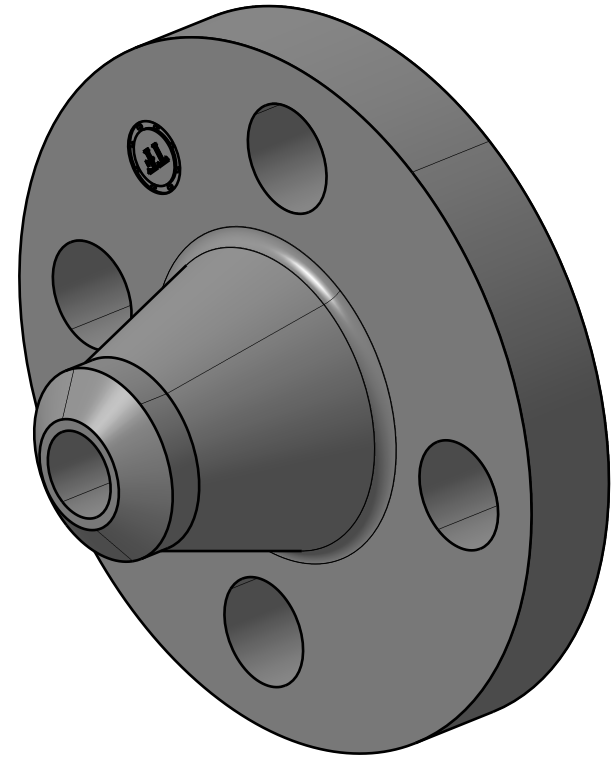
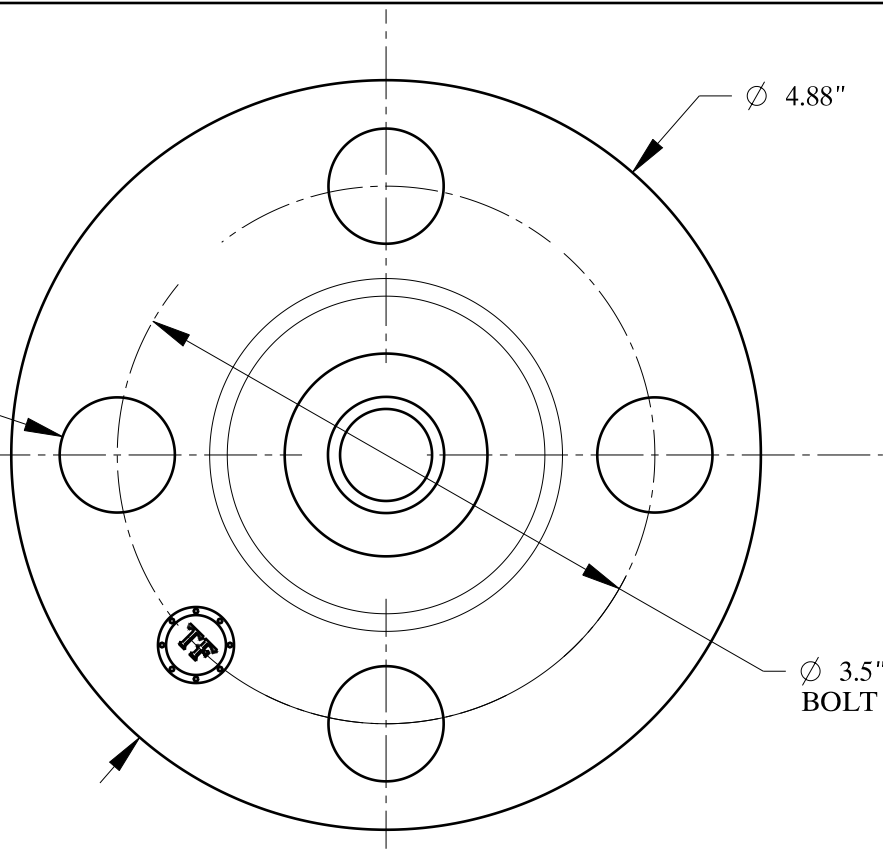



4X
Ø 0.75"



SIZE:	1" NOM. X SCH: XXH
TYPE:	600-WELD-NECK-RTJ-FLANGE
	Texas Flange
	PO Box 2889 Pearland, TX 77588 PH: 800-826-3801 FAX: 281-484-8730 www.texasflange.com