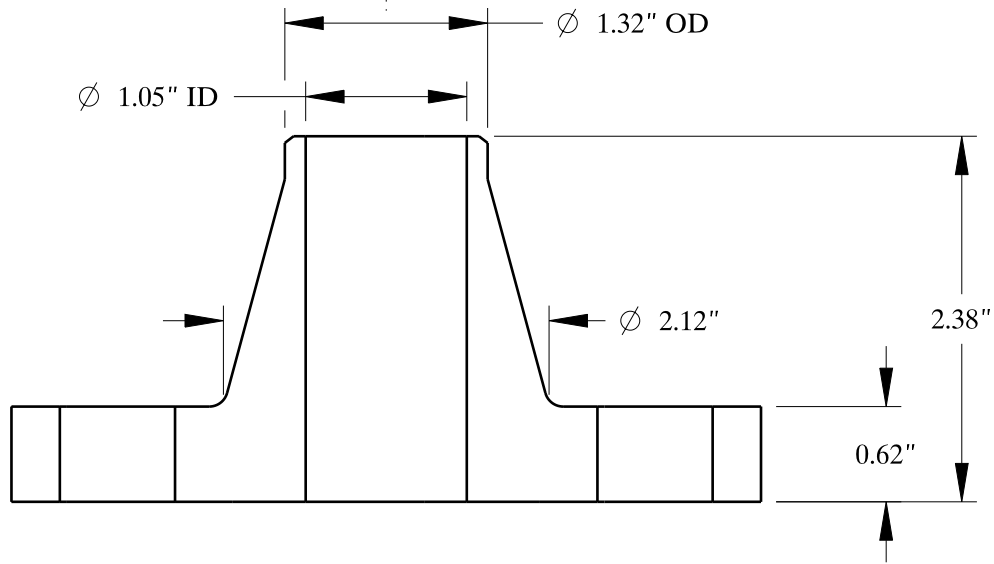
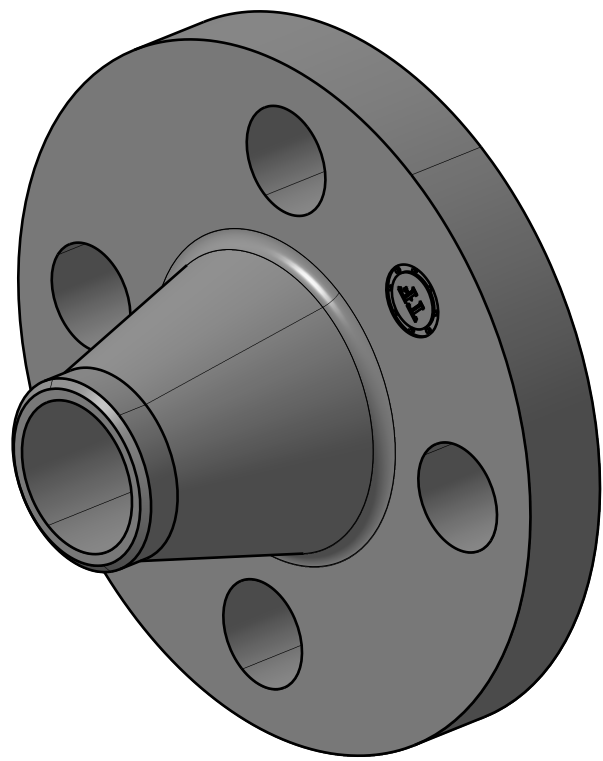
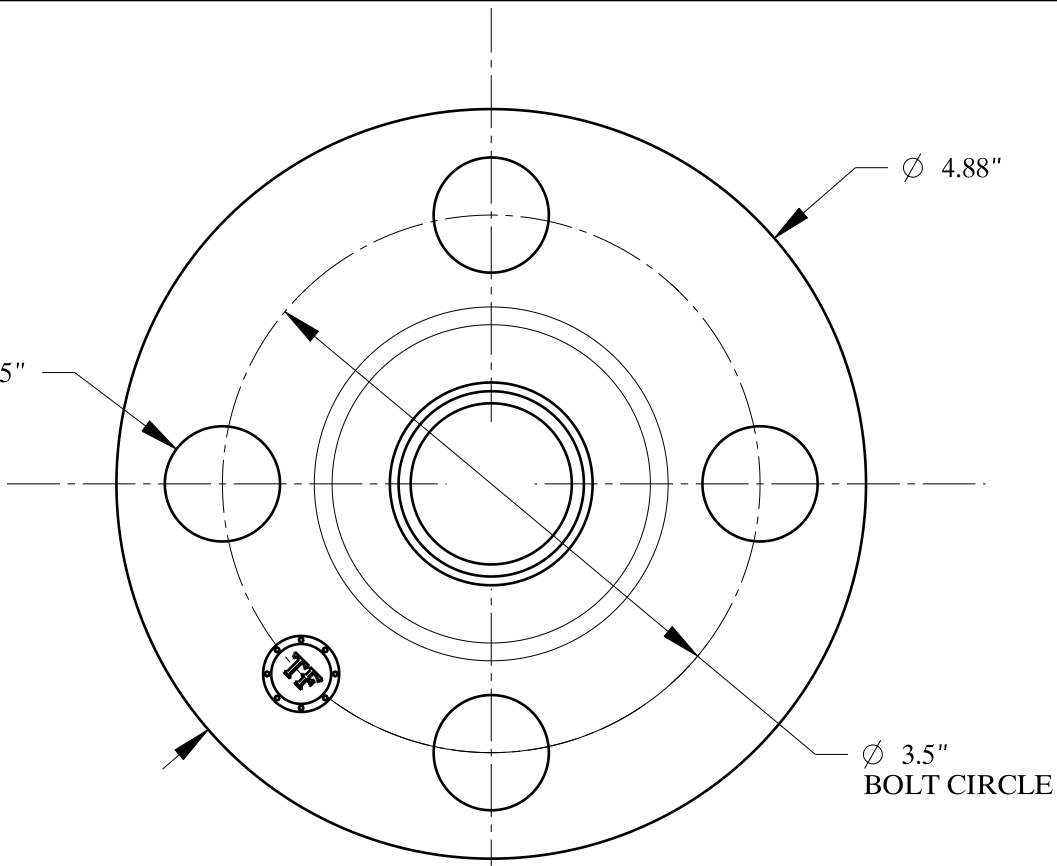



4X
Ø 0.75"



SIZE:	1" NOM. X SHC: 40
TYPE:	300-WELD-NECK-FF-FLANGE
 Texas Flange	
PO Box 2889 Pearland, TX 77588 PH: 800-826-3801 FAX: 281-484-8730 www.texasflange.com	