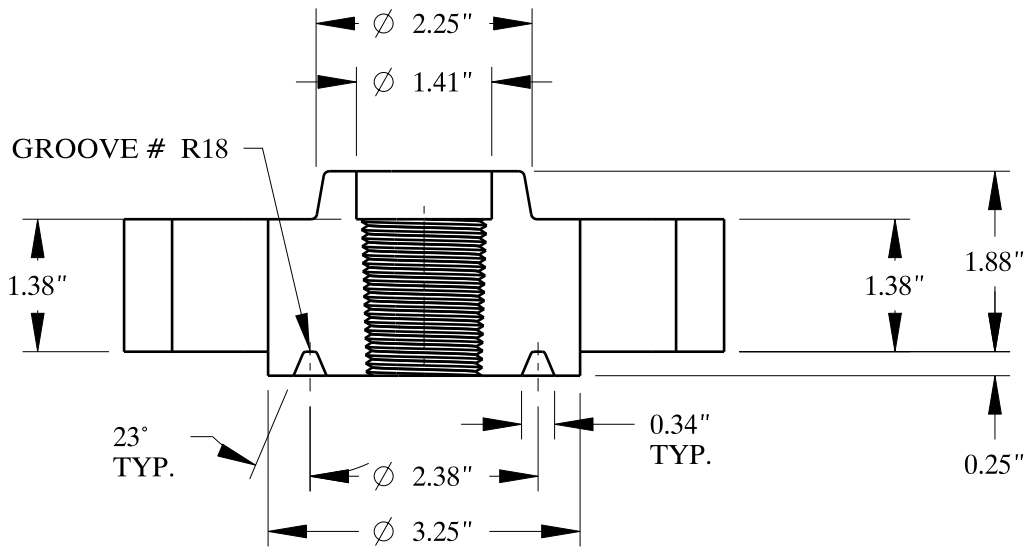
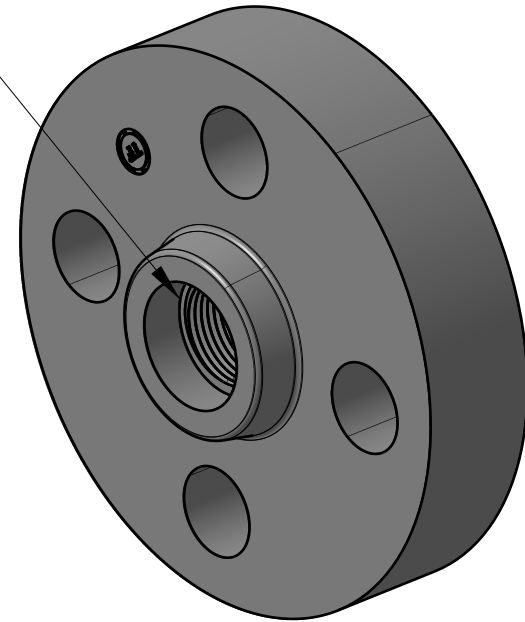


1-11 1/2 NPT



SIZE: 1" NOM. PIPE  
 TYPE: 2500-THREADED-RTJ-FLANGE


**Texas Flange**  
 PO Box 2889  
 Pearland, TX 77588  
 PH: 800-826-3801  
 FAX: 281-484-8730  
[www.texasflange.com](http://www.texasflange.com)