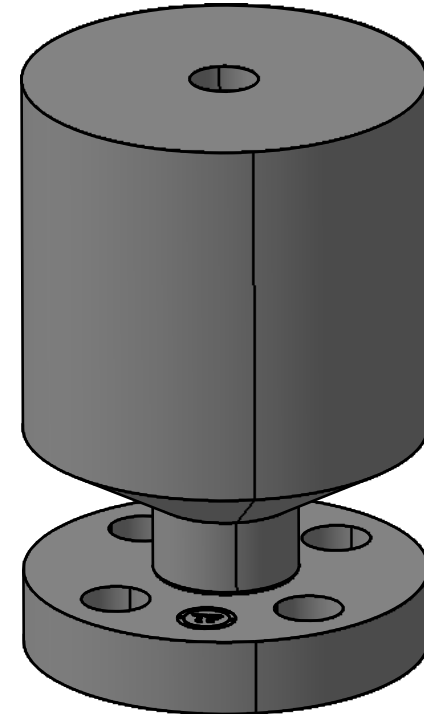
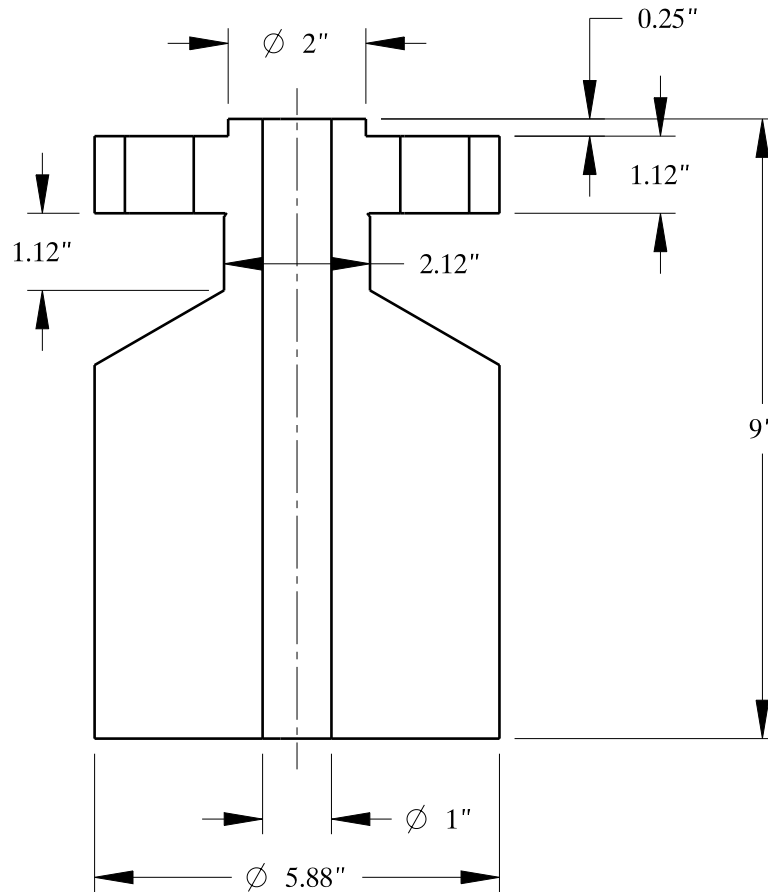


Ø 4"
BOLT CIRCLE

Ø 5.88"

4X
Ø 1"



SIZE: NOM. PIPE SIZE 1 INCH
TYPE: 1500-EB-RF-STD-CONN-FLANGE



**Texas
Flange**

PO Box 2889
Pearland, TX 77588
PH: 800-826-3801
FAX: 281-484-8730
www.texasflange.com