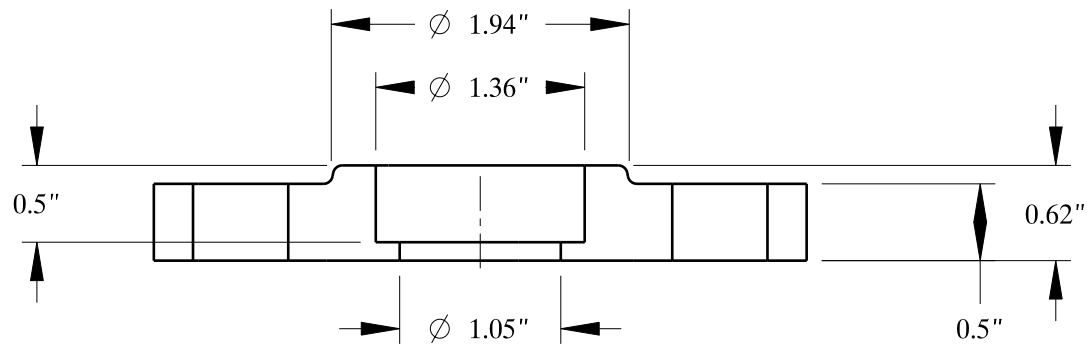
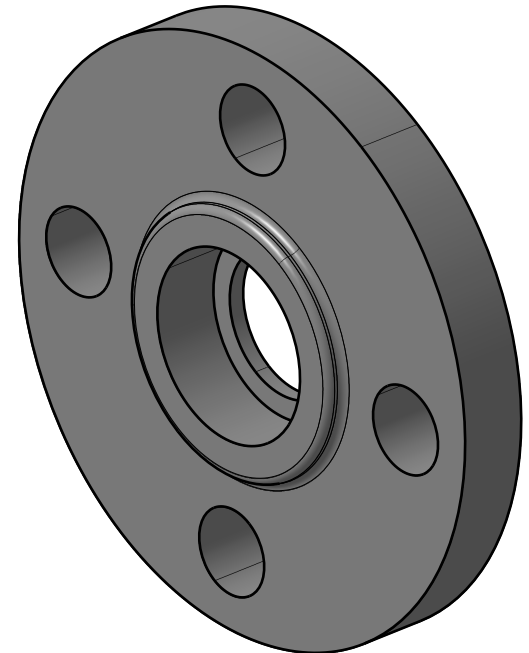



4X
Ø 0.62"

Ø 4.25"

Ø 3.12"
BOLT CIRCLE



| |
|---|
| SIZE: 1" NOM. X SCH: STD |
| TYPE: 150-SOCKET-WELD-FF-FLANGE |
|  Texas Flange |
| PO Box 2889 Pearland, TX 77588 PH: 800-826-3801 FAX: 281-484-8730 www.texasflange.com |