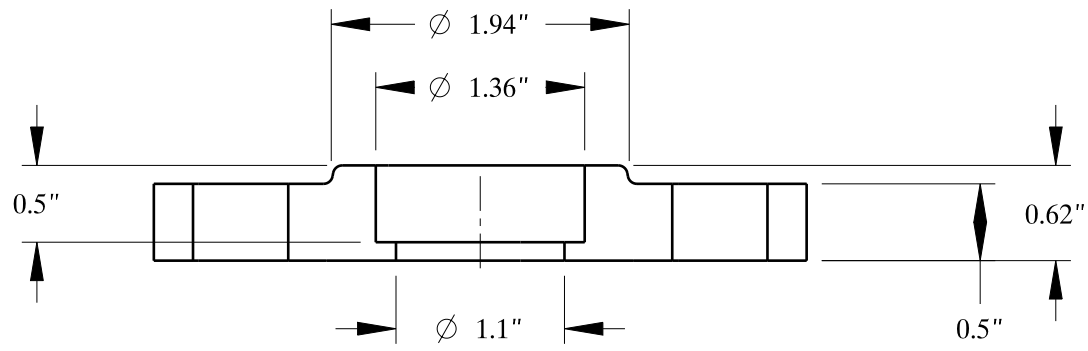
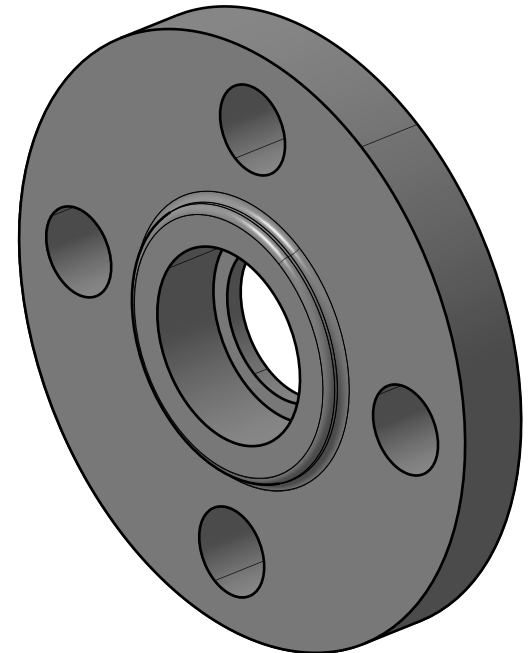



4X
Ø 0.62"

Ø 4.25"

Ø 3.12"
BOLT CIRCLE



SIZE:	1" NOM. X SCH: 10
TYPE:	150-SOCKET-WELD-FF-FLANGE
	Texas Flange
PO Box 2889 Pearland, TX 77588 PH: 800-826-3801 FAX: 281-484-8730 www.texasflange.com	