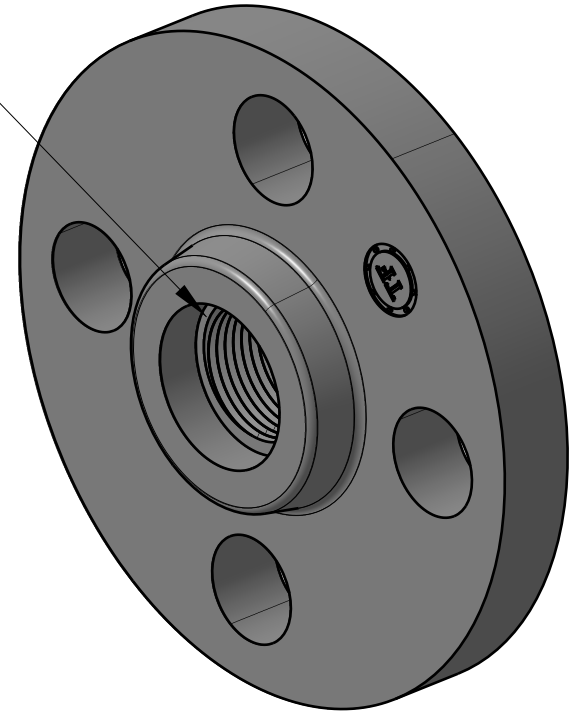
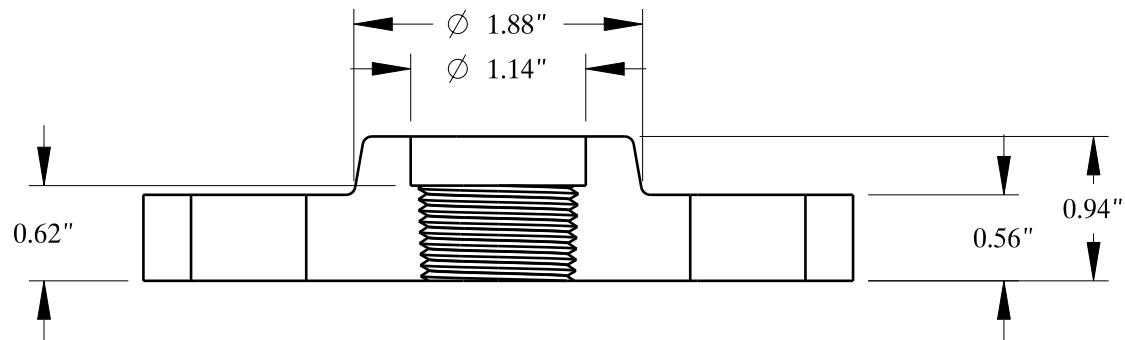



3/4-14 NPT



$\phi 3.25''$
BOLT CIRCLE



SIZE:	$\frac{3}{4}$ " NOM. PIPE
TYPE:	300-THREADED-FF-FLANGE
	
PO Box 2889 Pearland, TX 77588 PH: 800-826-3801 FAX: 281-484-8730 www.texasflange.com	