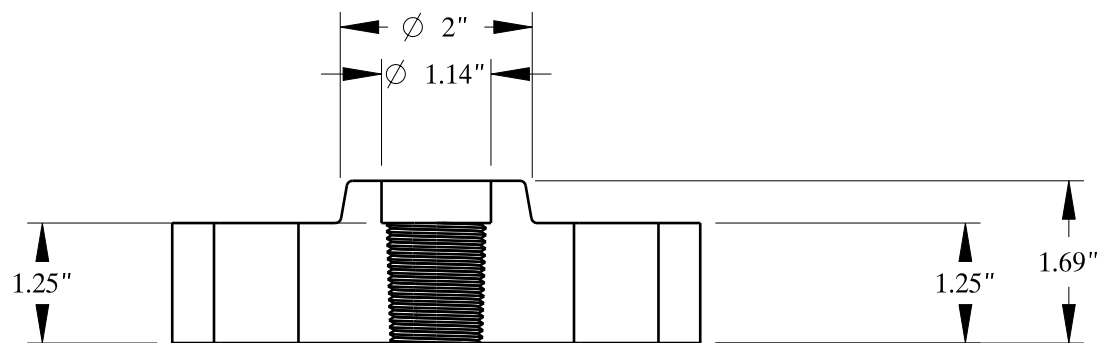
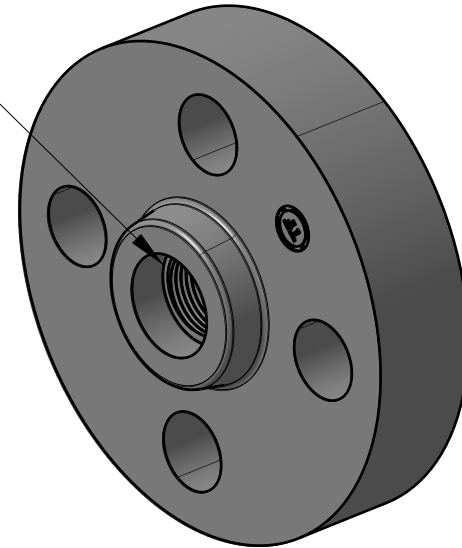


3/4-14 NPT



SIZE:  $\frac{3}{4}$ " NOM. PIPE  
 TYPE: 2500-THREADED-FF-FLANGE



**Texas**  
**Flange**

PO Box 2889  
 Pearland, TX 77588  
 PH: 800-826-3801  
 FAX: 281-484-8730  
 www.texasflange.com