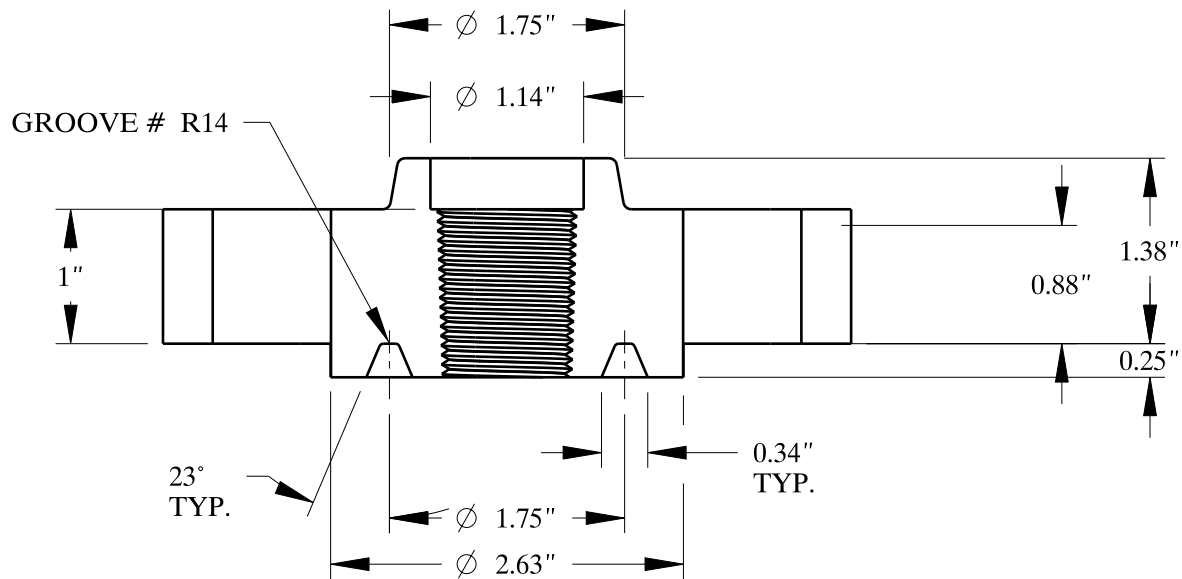
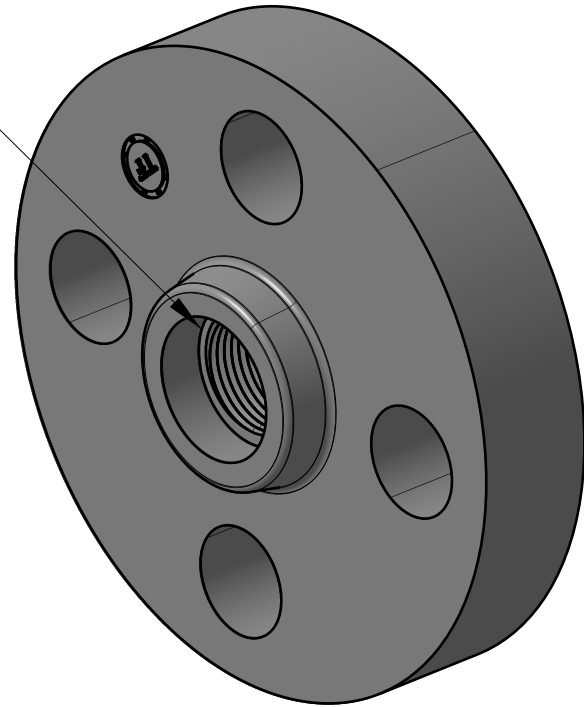


3/4-14 NPT



SIZE:	$\frac{3}{4}$ " NOM. PIPE
TYPE:	1500-THREADED-RTJ-FLANGE
PO Box 2889 Pearland, TX 77588 PH: 800-826-3801 FAX: 281-484-8730 www.texasflange.com	